

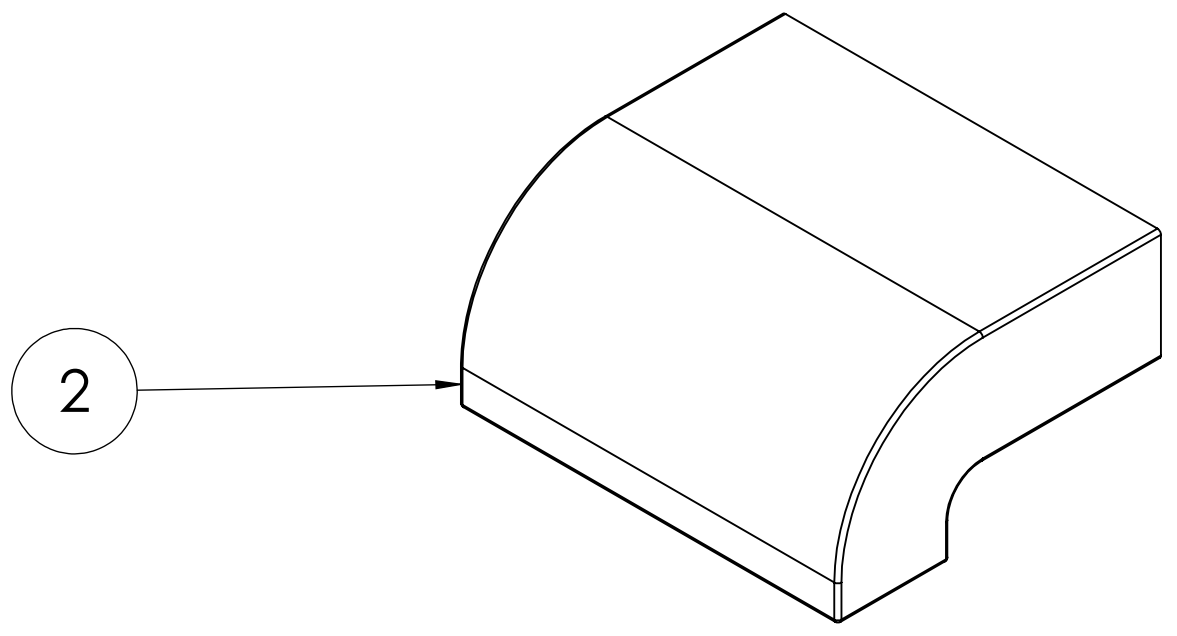
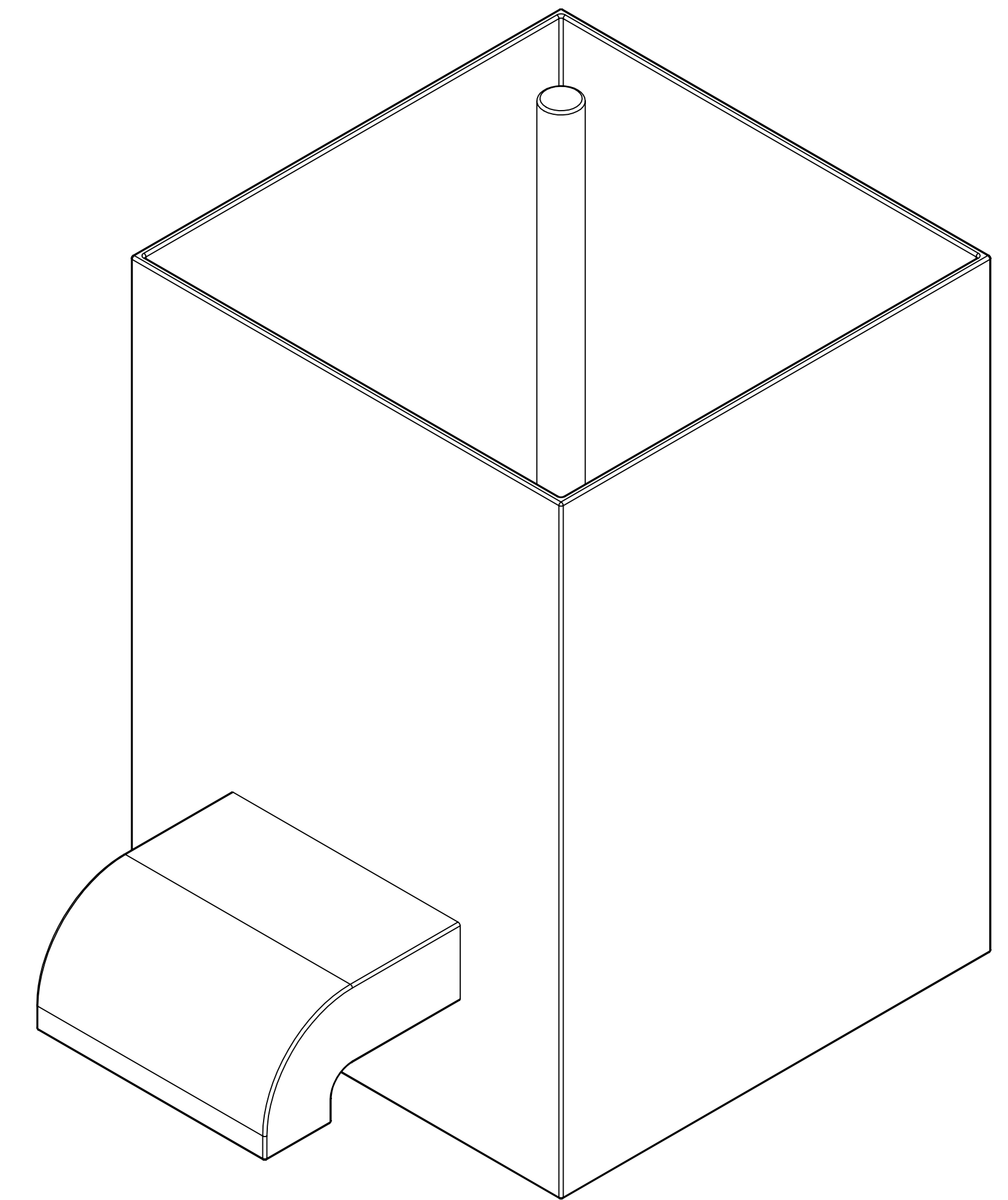
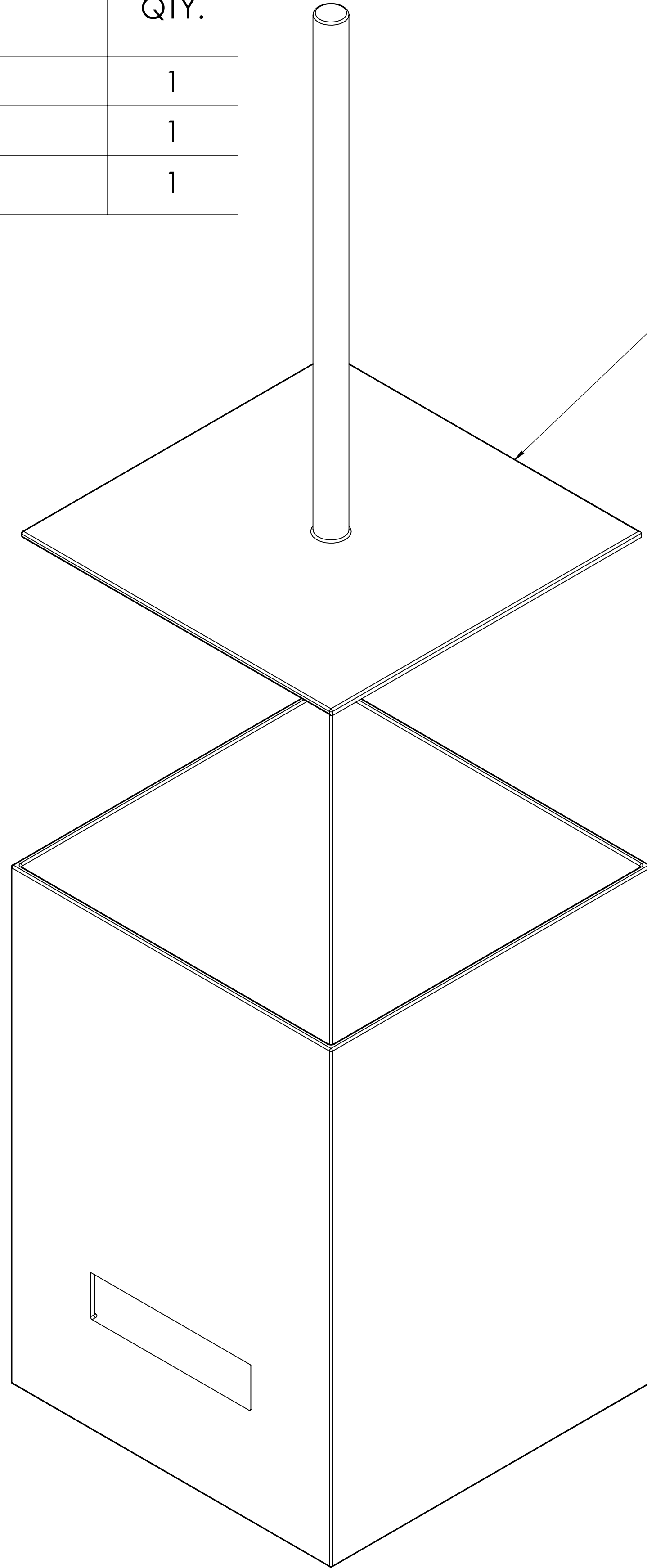
Rural Food Processing
Team Cocoyam
CAD Package

Course: ME-476C
Date: 22 November 2019

Team Members:
Humoud Alanjari
Musab Al-Balool
Nygel des Vignes
Samantha Morrison

Instructor: Dr. Sarah Oman
Client: Isaac Zama
Mentor: Chuck Vallance
Sponsor: W.L. Gore

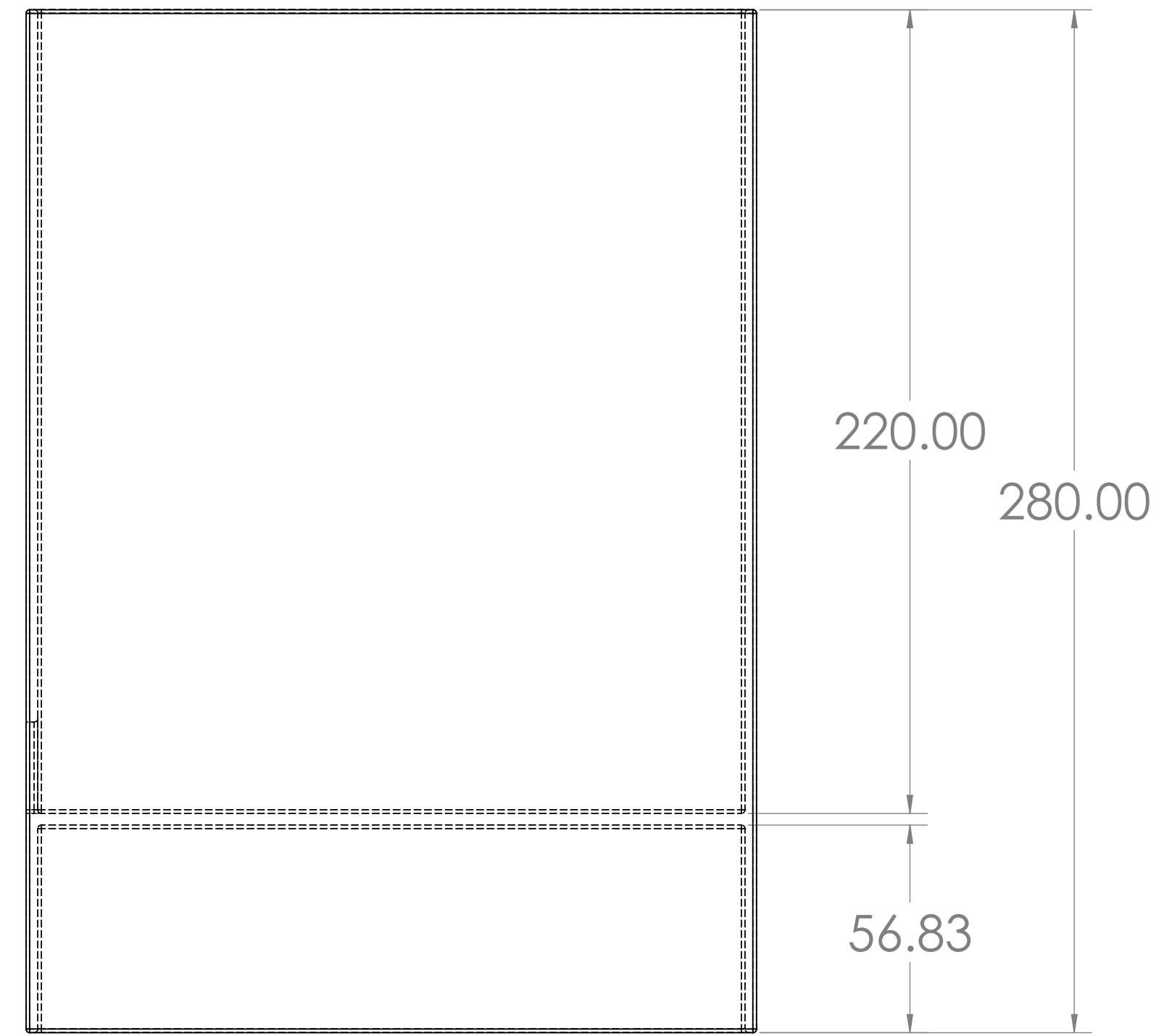
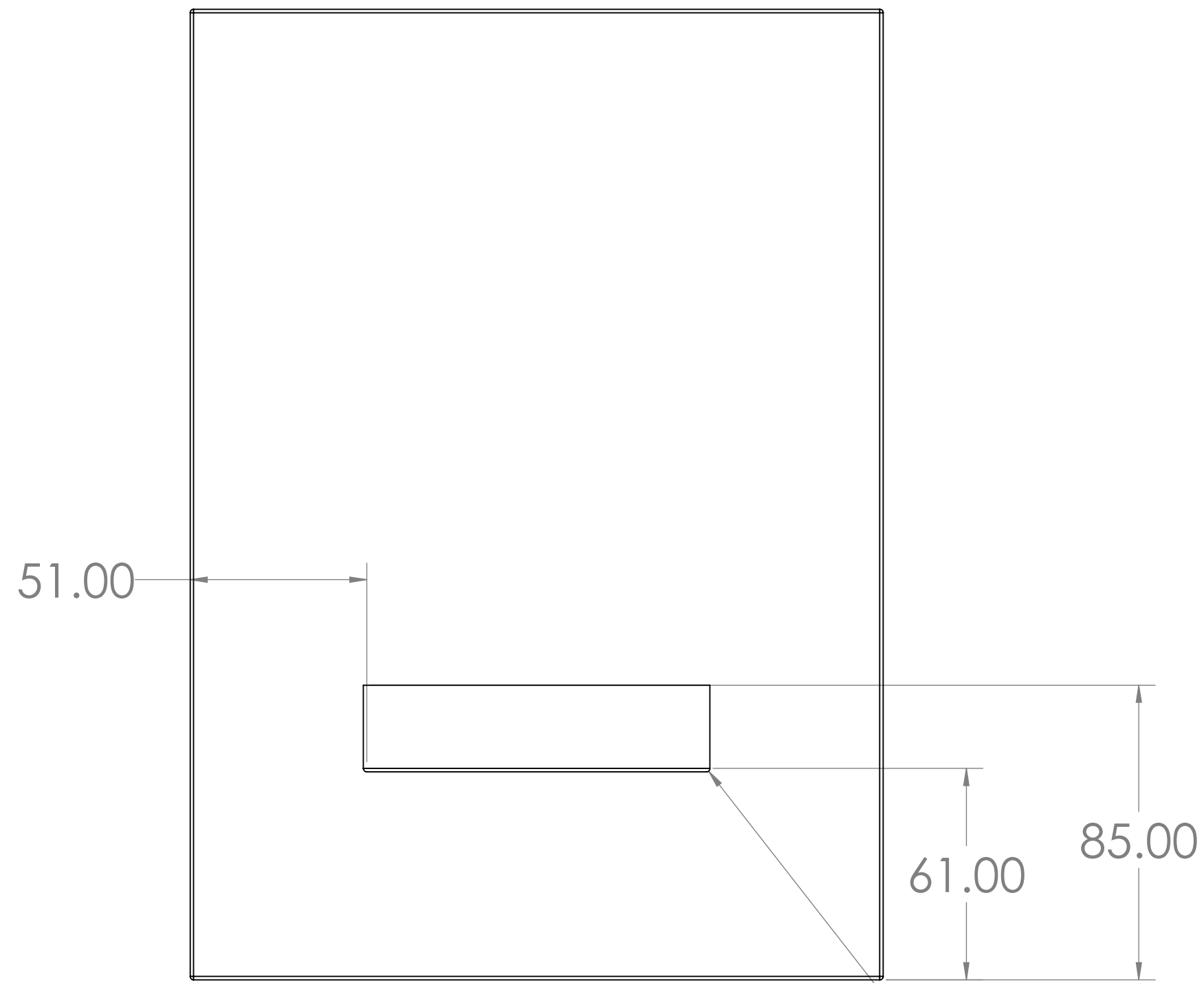
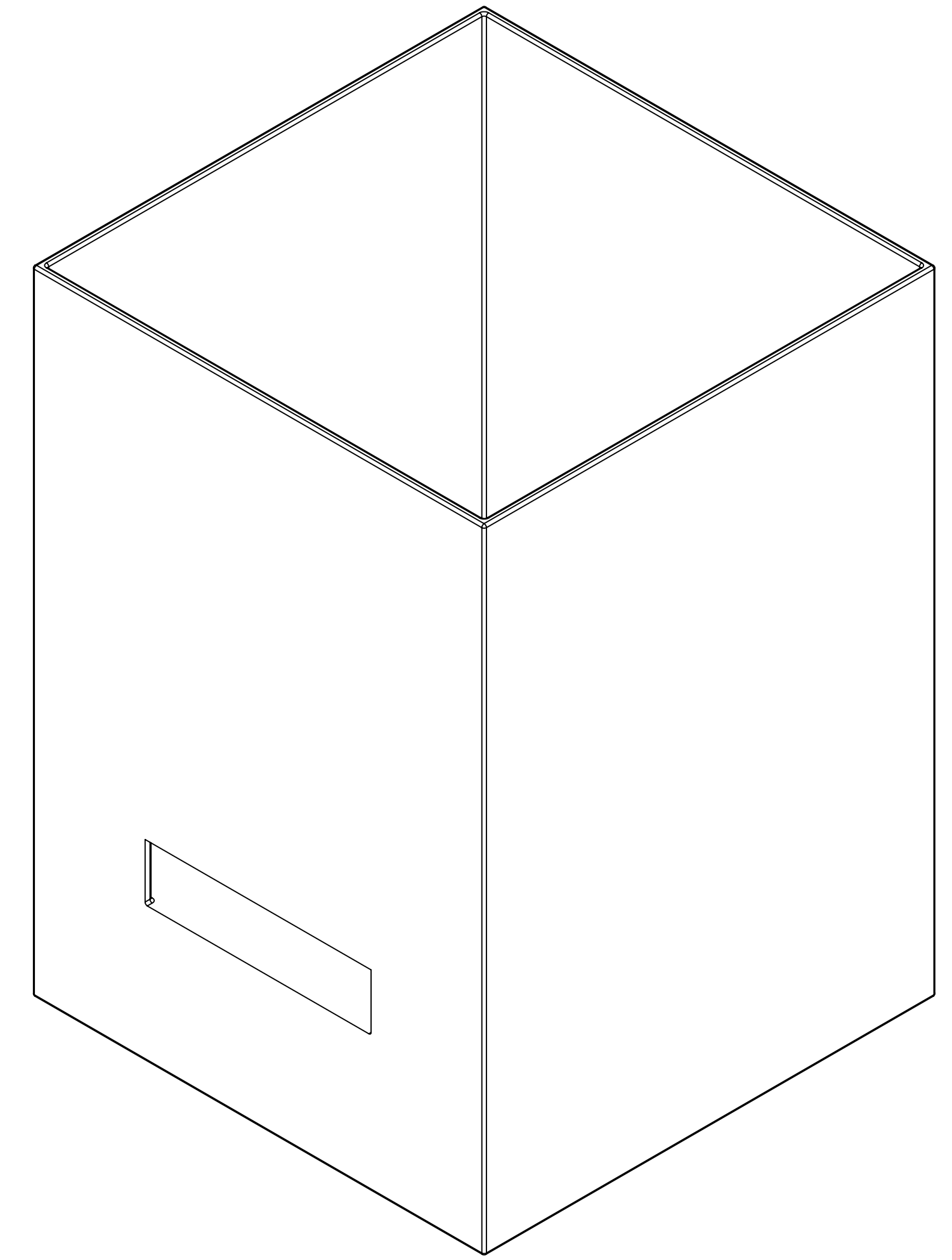
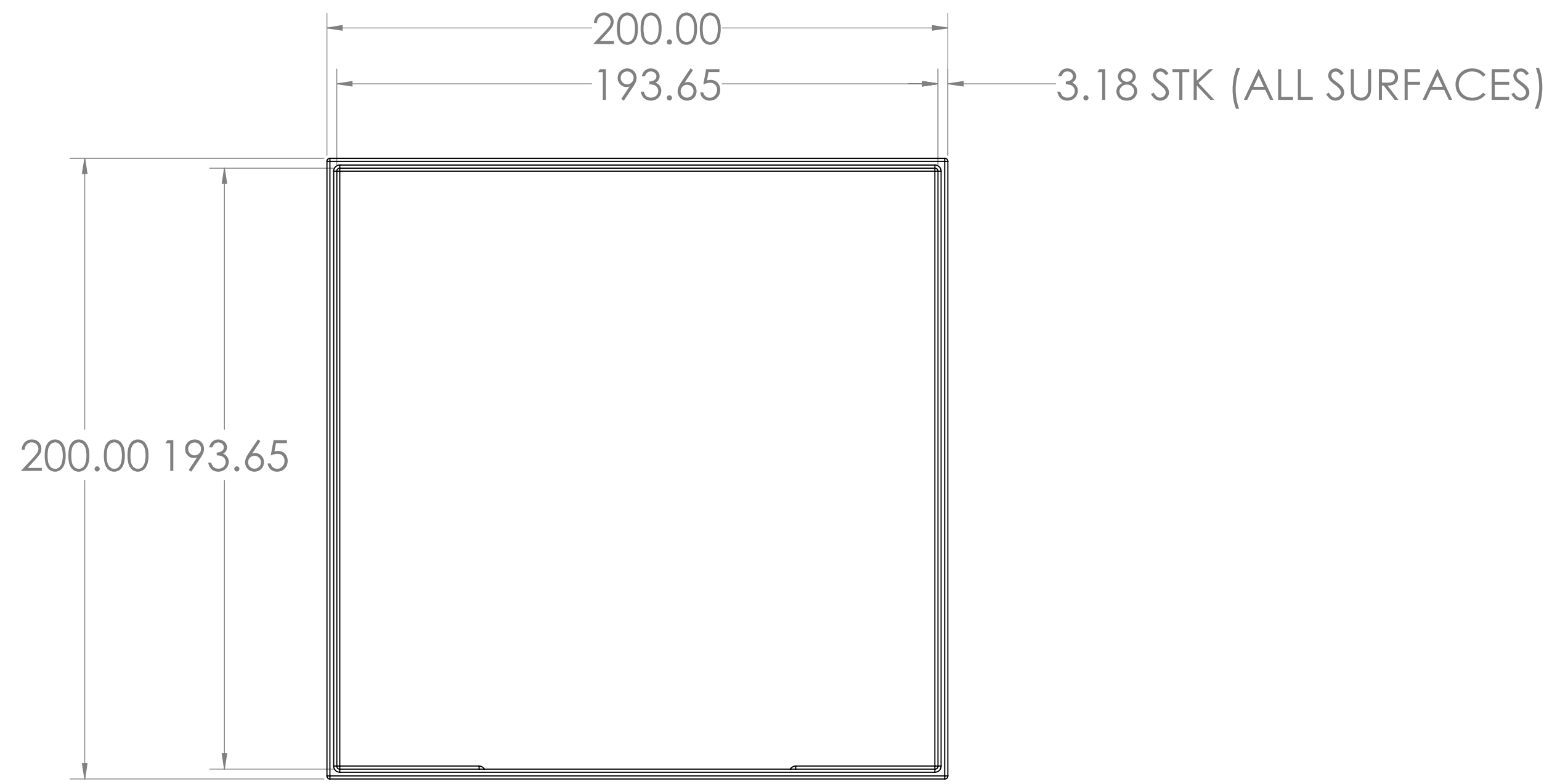
ITEM NO.	PartNo	DESCRIPTION	QTY.
1	001	Reservoir	1
2	002	Nozzle	1
3	003	Plunger	1



PROPRIETARY AND CONFIDENTIAL
 THE INFORMATION CONTAINED IN THIS
 DRAWING IS THE SOLE PROPERTY OF
 RURAL FOOD PROCESSING TEAM. ANY
 REPRODUCTION IN PART OR AS A WHOLE
 WITHOUT THE WRITTEN PERMISSION OF
 RURAL FOOD PROCESSING TEAM IS
 PROHIBITED.

		UNLESS OTHERWISE SPECIFIED:		NAME	DATE
		DIMENSIONS ARE IN MILLIMETERS	DRAWN	SMM	11062019
		TOLERANCES:	CHECKED		
		ALL TOLERANCES ± 1.00	ENG APPR.		
			MFG APPR.		
		INTERPRET GEOMETRIC	Q.A.		
		TOLERANCING PER: ASME Y14.5	COMMENTS:		
		MATERIAL			
		316 STAINLESS STEEL			
		FINISH			
		NONE			
NEXT ASSY	USED ON	DO NOT SCALE DRAWING			
APPLICATION					

Rural Food Processing		
TITLE: Assembly, Top Level, Dispenser		
SIZE	DWG. NO.	REV
D	Dispenser Assembly	
SCALE: 2:3	WEIGHT:	SHEET 1 OF 4

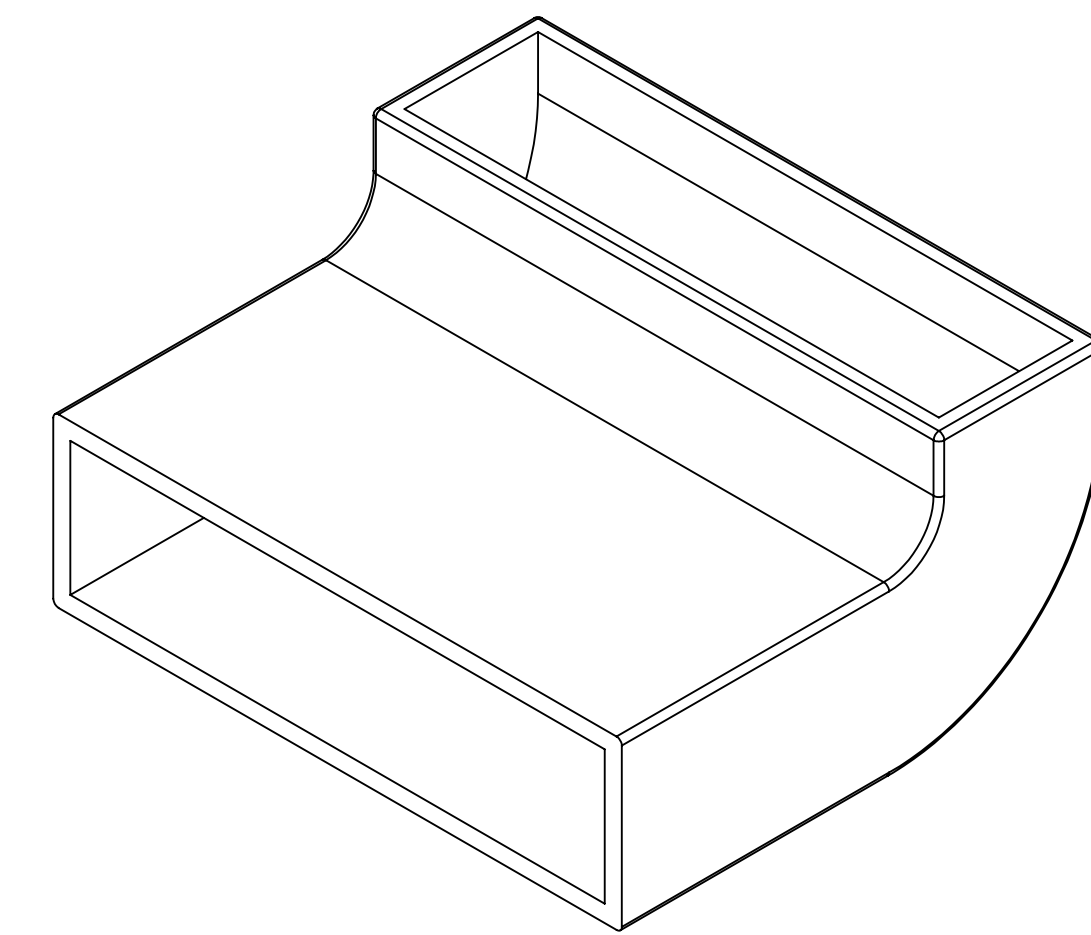
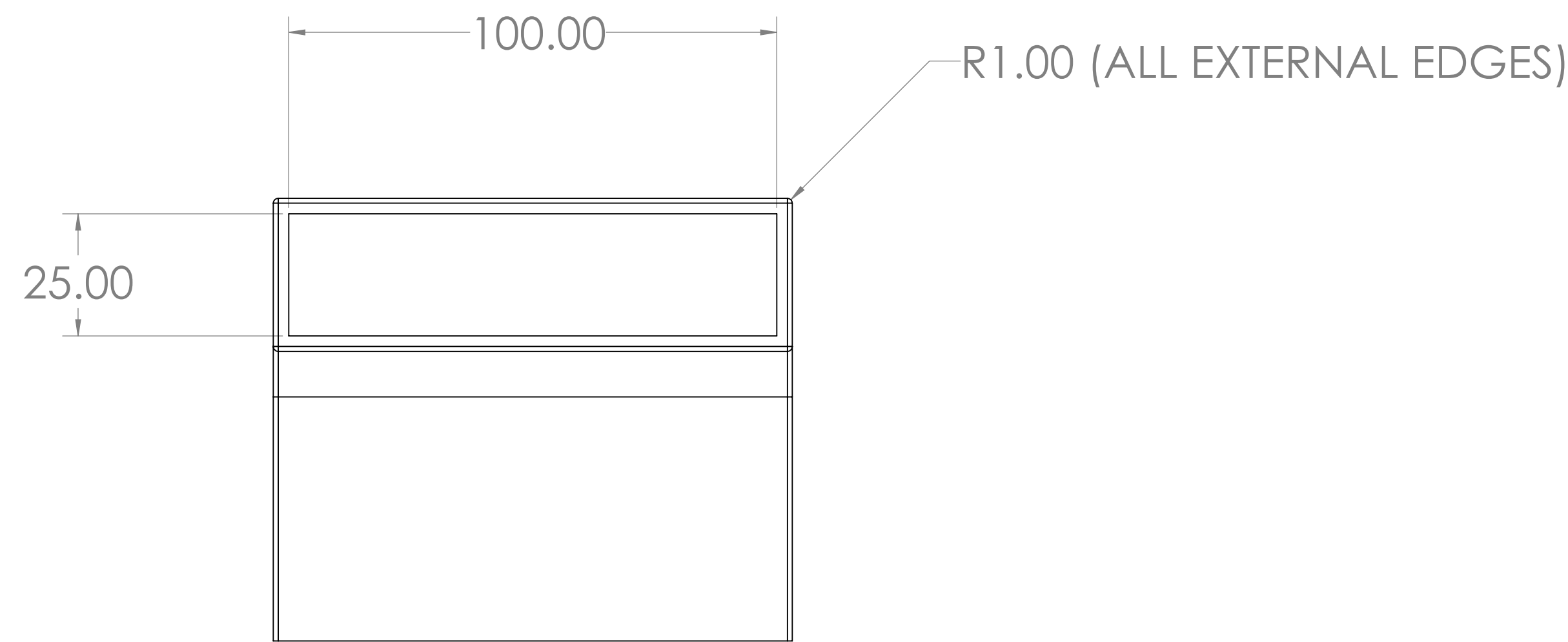
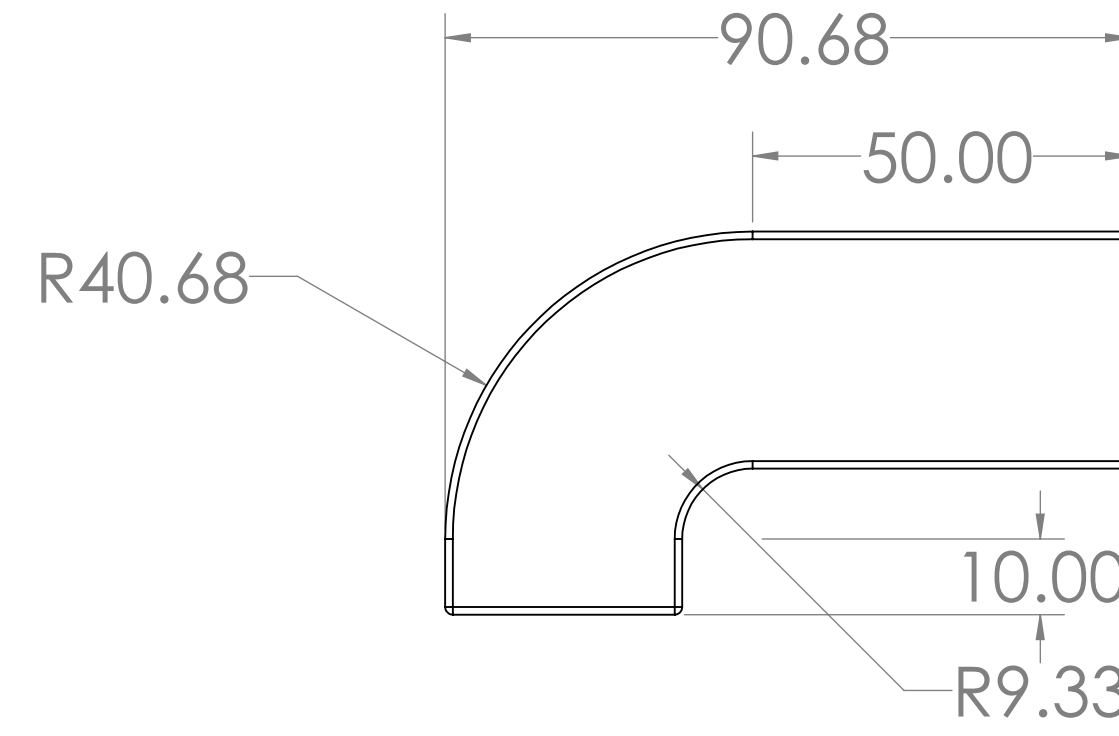
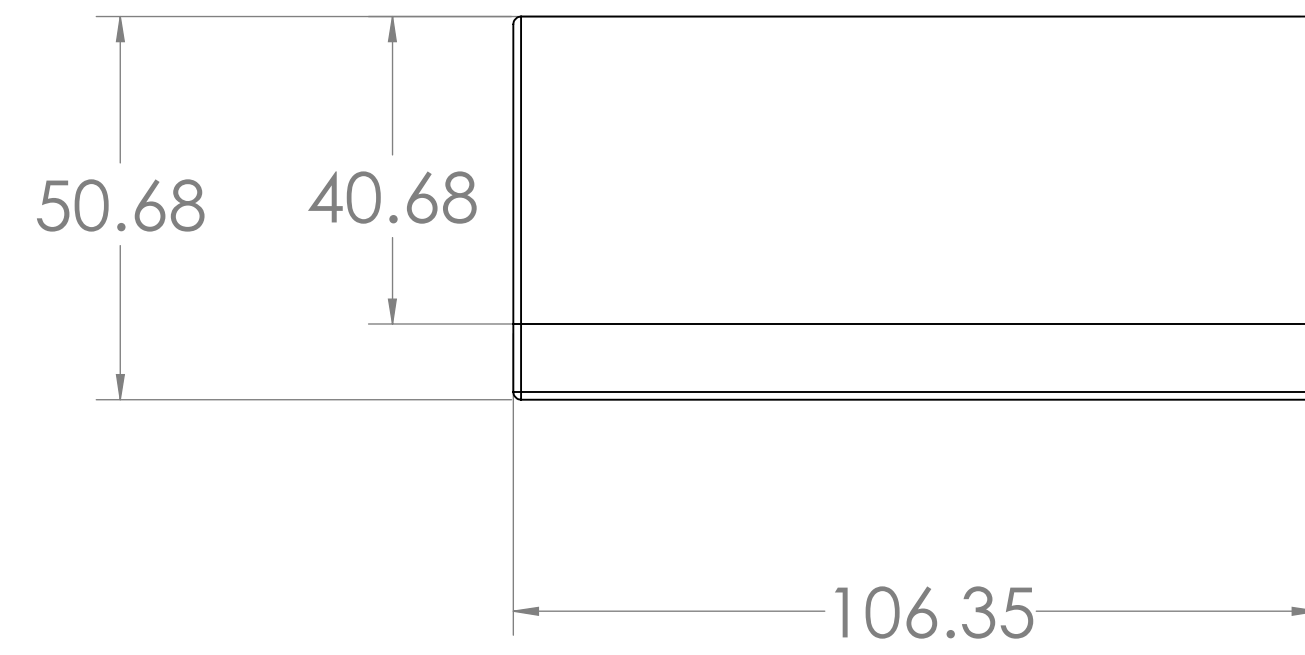


14 X R1.00

PROPRIETARY AND CONFIDENTIAL
THE INFORMATION CONTAINED IN THIS
DRAWING IS THE SOLE PROPERTY OF
RURAL FOOD PROCESSING TEAM. ANY
REPRODUCTION IN PART OR AS A WHOLE
WITHOUT THE WRITTEN PERMISSION OF
RURAL FOOD PROCESSING TEAM IS
PROHIBITED.

		UNLESS OTHERWISE SPECIFIED:		NAME	DATE
		DIMENSIONS ARE IN MILLIMETERS	DRAWN	SMM	11062019
		TOLERANCES:	CHECKED		
		ALL TOLERANCES ± 1.00	ENG APPR.		
			MFG APPR.		
		INTERPRET GEOMETRIC	Q.A.		
		TOLERANCING PER: ASME Y14.5	COMMENTS:		
Dispenser Assembly		MATERIAL			
		316 STAINLESS STEEL			
NEXT ASSY	USED ON	FINISH			
		NONE			
APPLICATION		DO NOT SCALE DRAWING			

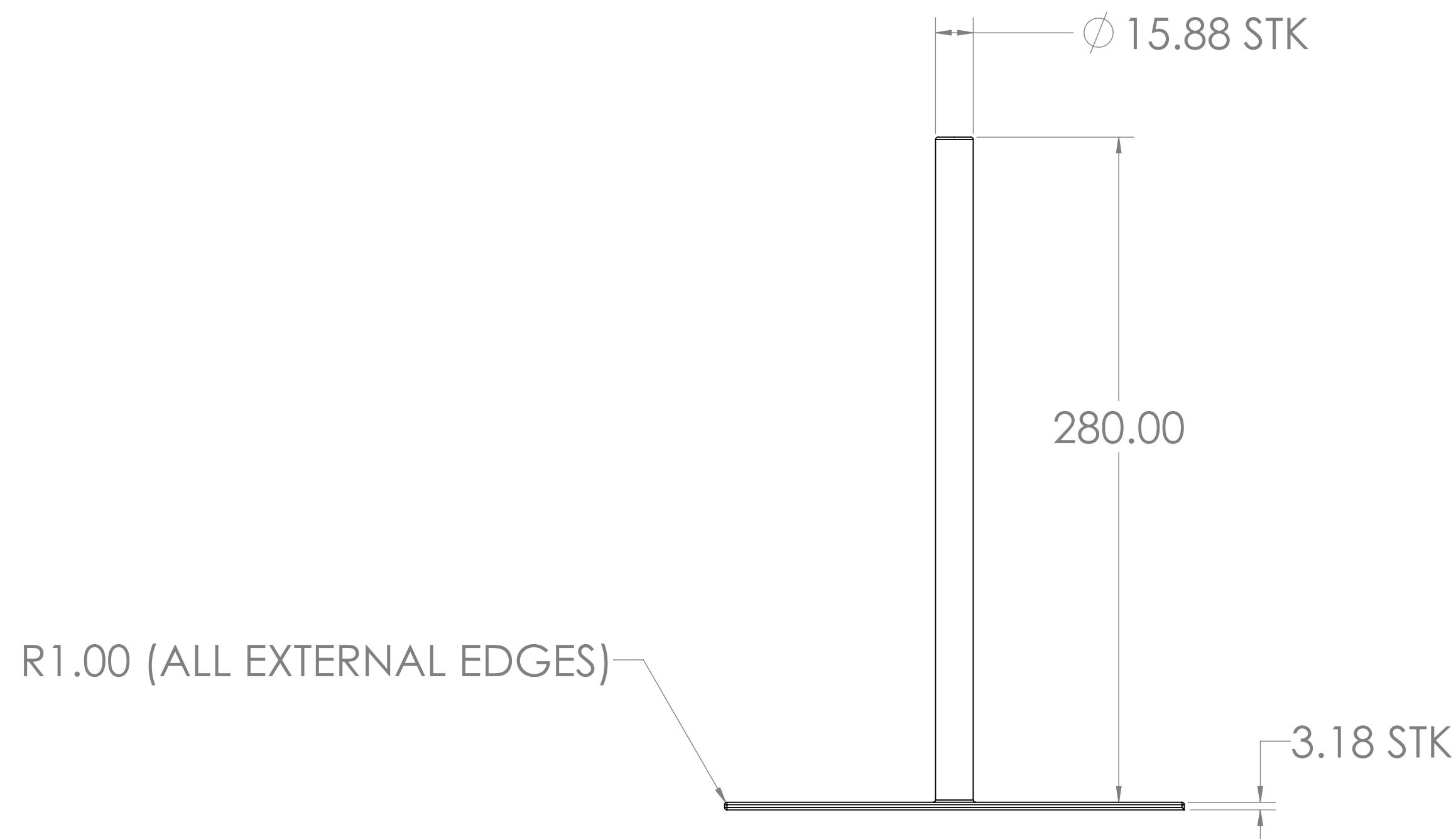
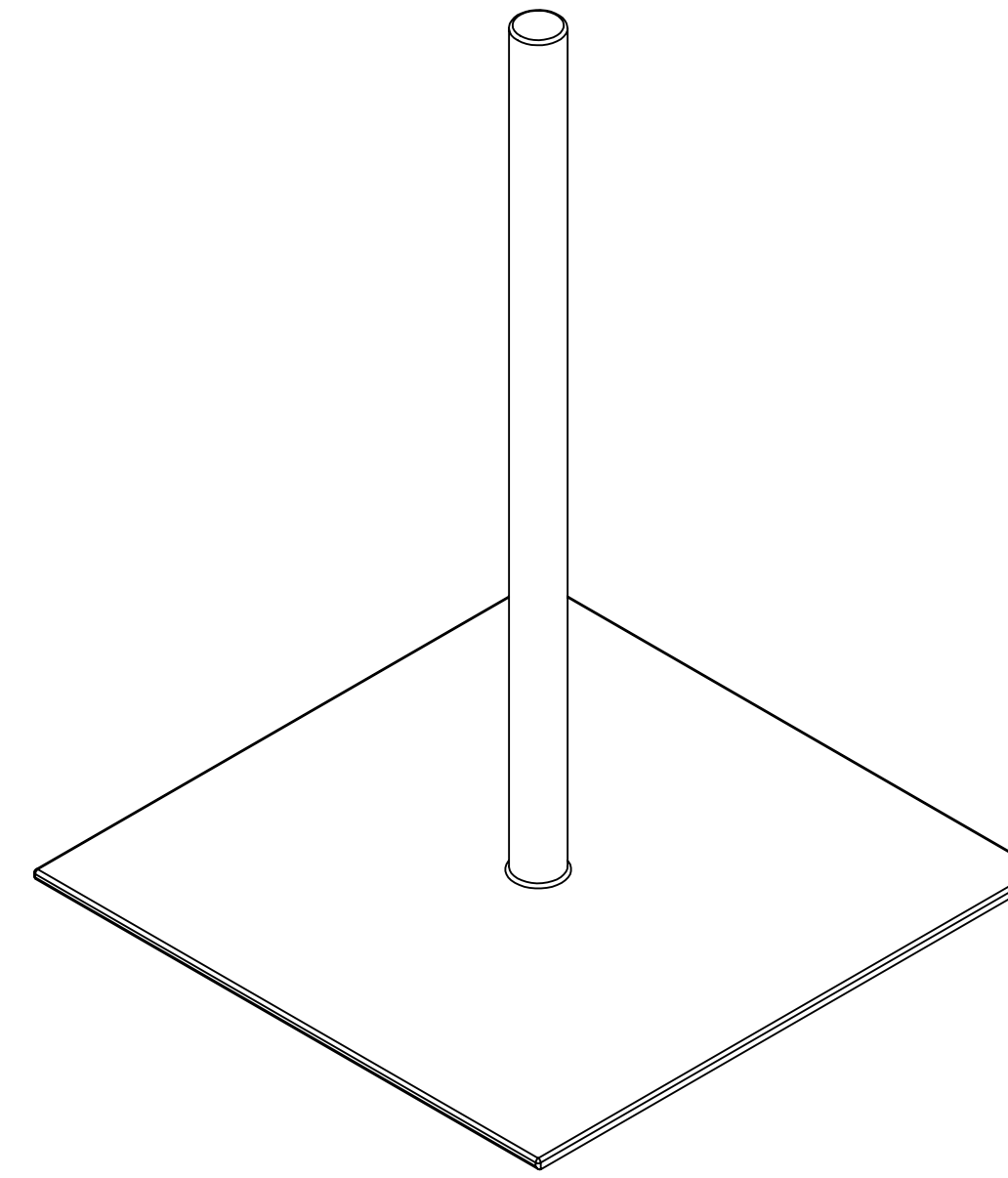
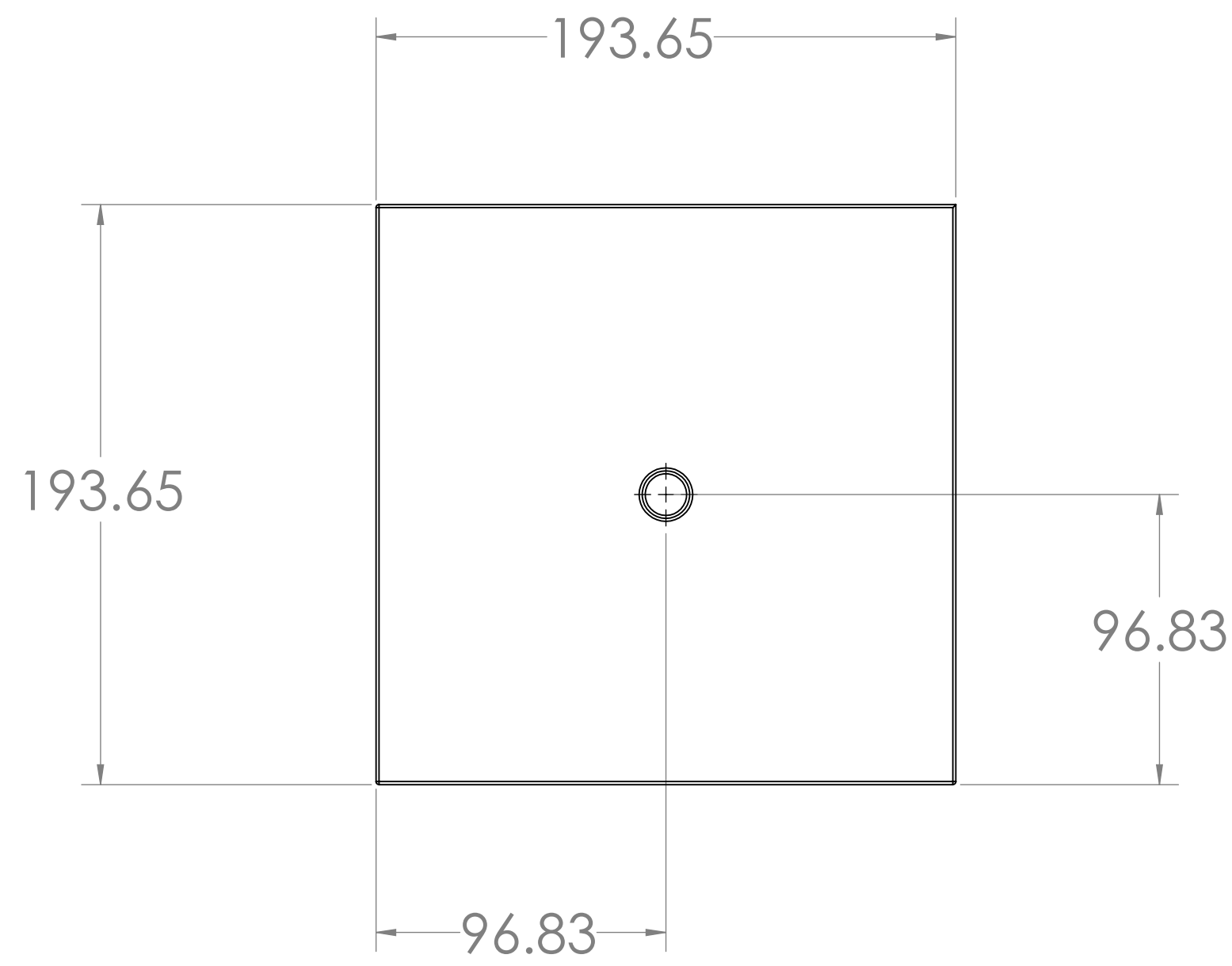
Rural Food Processing		
TITLE:		
Reservoir		
SIZE	DWG. NO.	REV
D	001	
SCALE: 2:3	WEIGHT:	SHEET 2 OF 4



3.18 STK (ALL SURFACES)

PROPRIETARY AND CONFIDENTIAL
 THE INFORMATION CONTAINED IN THIS
 DRAWING IS THE SOLE PROPERTY OF
 RURAL FOOD PROCESSING TEAM. ANY
 REPRODUCTION IN PART OR AS A WHOLE
 WITHOUT THE WRITTEN PERMISSION OF
 RURAL FOOD PROCESSING TEAM IS
 PROHIBITED.

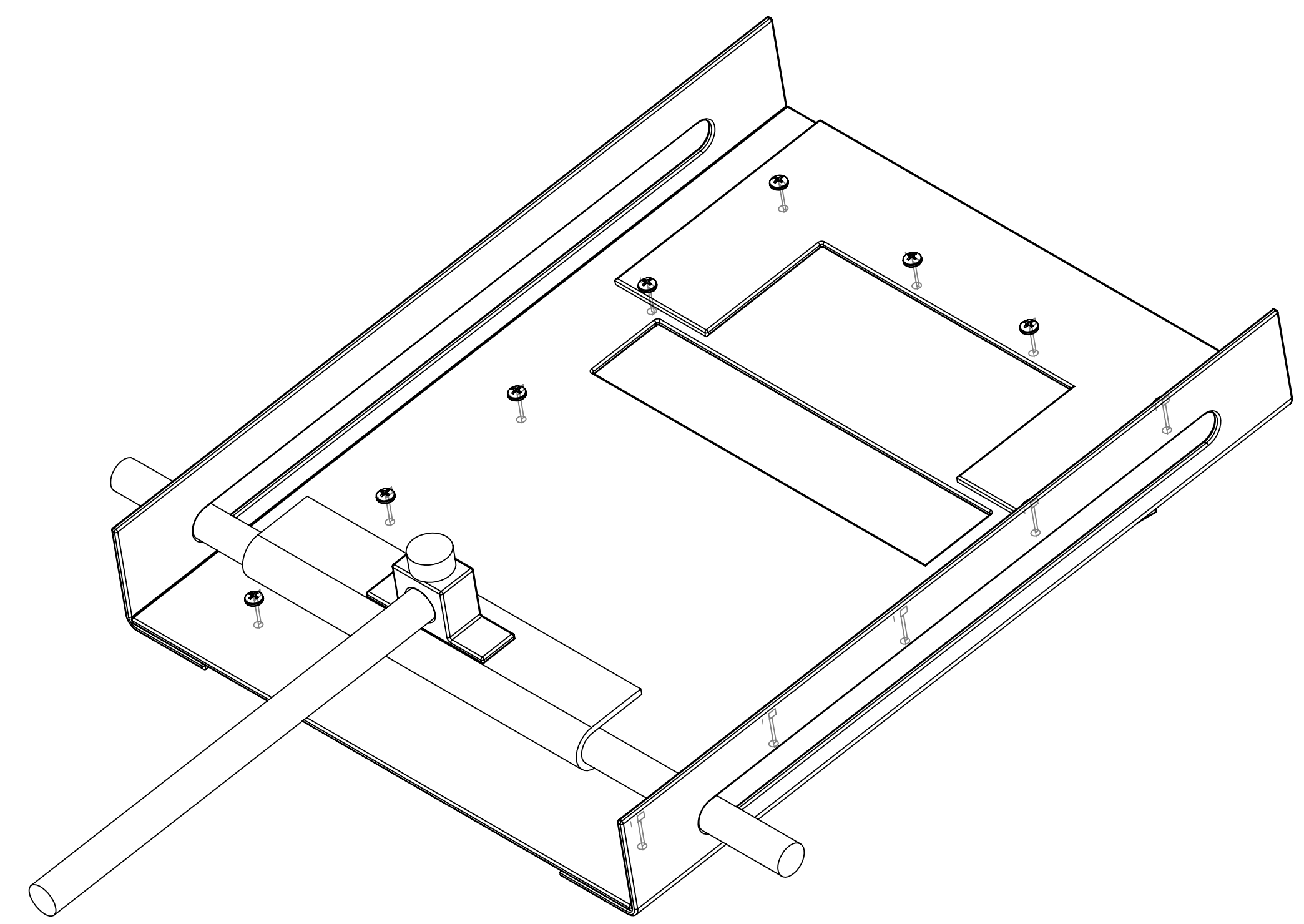
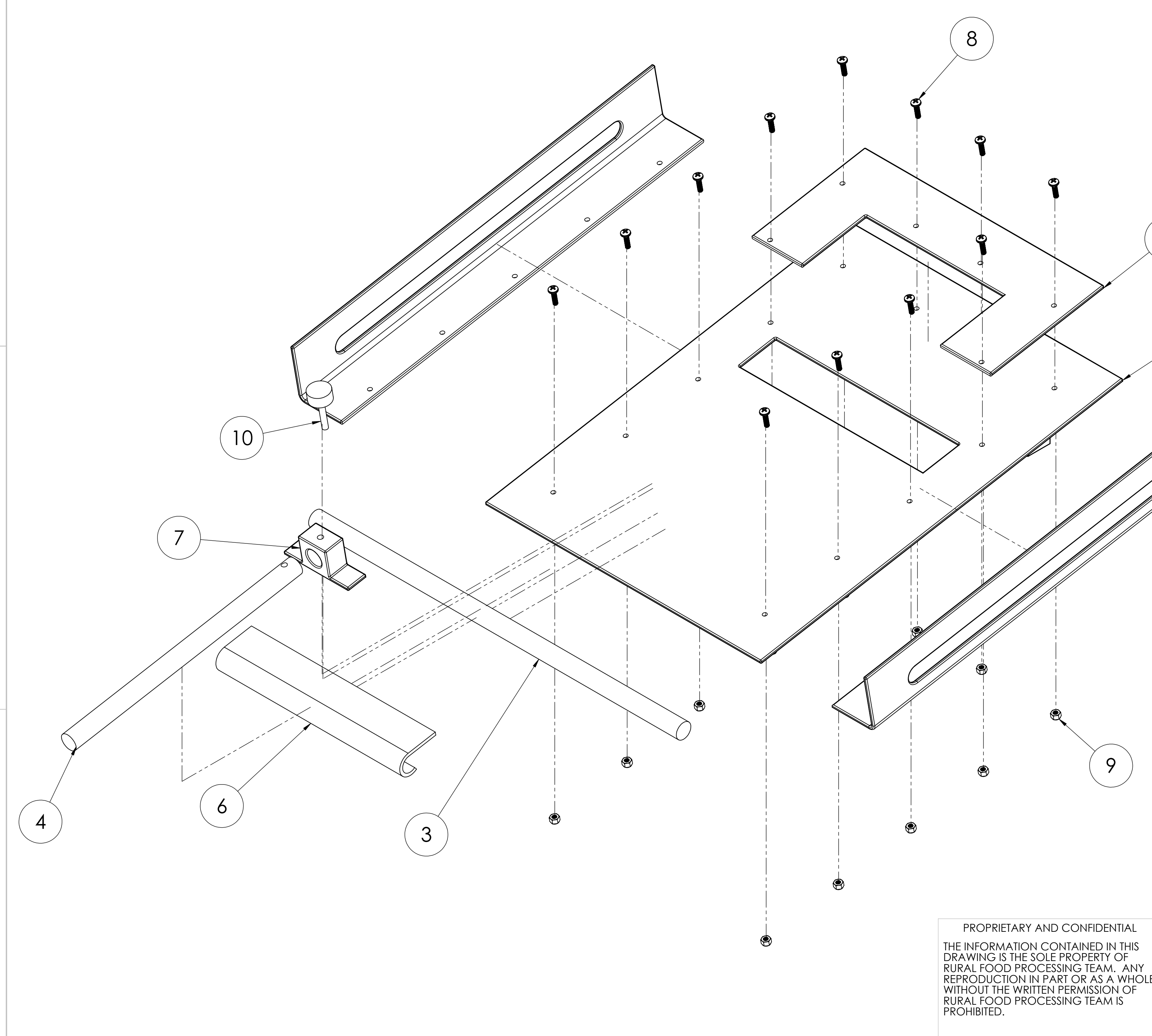
		UNLESS OTHERWISE SPECIFIED:		NAME	DATE	Rural Food Processing	
		DIMENSIONS ARE IN MILLIMETERS TOLERANCES:		DRAWN	SMM		
		ALL TOLERANCES ± 1.00		CHECKED			TITLE:
				ENG APPR.			Nozzle
				MFG APPR.			
				Q.A.			SIZE
				COMMENTS:			DWG. NO.
Dispenser Assembly		INTERPRET GEOMETRIC TOLERANCING PER: ASME Y14.5					002
NEXT ASSY	USED ON	MATERIAL 316 STAINLESS STEEL					REV
APPLICATION		FINISH NONE					
		DO NOT SCALE DRAWING					
							SCALE: 1:1
							WEIGHT:
							SHEET 3 OF 4



PROPRIETARY AND CONFIDENTIAL
 THE INFORMATION CONTAINED IN THIS
 DRAWING IS THE SOLE PROPERTY OF
 RURAL FOOD PROCESSING TEAM. ANY
 REPRODUCTION IN PART OR AS A WHOLE
 WITHOUT THE WRITTEN PERMISSION OF
 RURAL FOOD PROCESSING TEAM IS
 PROHIBITED.

		UNLESS OTHERWISE SPECIFIED:		NAME	DATE	Rural Food Processing	
		DIMENSIONS ARE IN MILLIMETERS TOLERANCES:		DRAWN	SMM		
		ALL TOLERANCES ± 1.00		CHECKED			TITLE:
				ENG APPR.			Plunger
				MFG APPR.			
		INTERPRET GEOMETRIC TOLERANCING PER: ASME Y14.5		Q.A.			SIZE
Dispenser Assembly		MATERIAL 316 STAINLESS STEEL		COMMENTS:			DWG. NO.
NEXT ASSY	USED ON	FINISH NONE					003
APPLICATION		DO NOT SCALE DRAWING					REV
							SCALE: 1:2
							WEIGHT:
							SHEET 4 OF 4

ITEM NO.	PartNo	DESCRIPTION	QTY.
1	004	Base, Roller	1
10	012	Pin, Handle	1
2	009	Rail, Side	2
3	007	Bar, Roller	1
4	005	Handle, Roller	1
5	010	Bracket, Belt End	1
6	006	Bracket, Handle Bottom	1
7	011	Bracket, Handle Top	1
8	90116A211 (McMaster-Carr)	Screw, M4 x 0.7 mm	12
9	94205A230 (McMaster-Carr)	Nut, M4 x 0.7 mm	12



PROPRIETARY AND CONFIDENTIAL
 THE INFORMATION CONTAINED IN THIS DRAWING IS THE SOLE PROPERTY OF RURAL FOOD PROCESSING TEAM. ANY REPRODUCTION IN PART OR AS A WHOLE WITHOUT THE WRITTEN PERMISSION OF RURAL FOOD PROCESSING TEAM IS PROHIBITED.

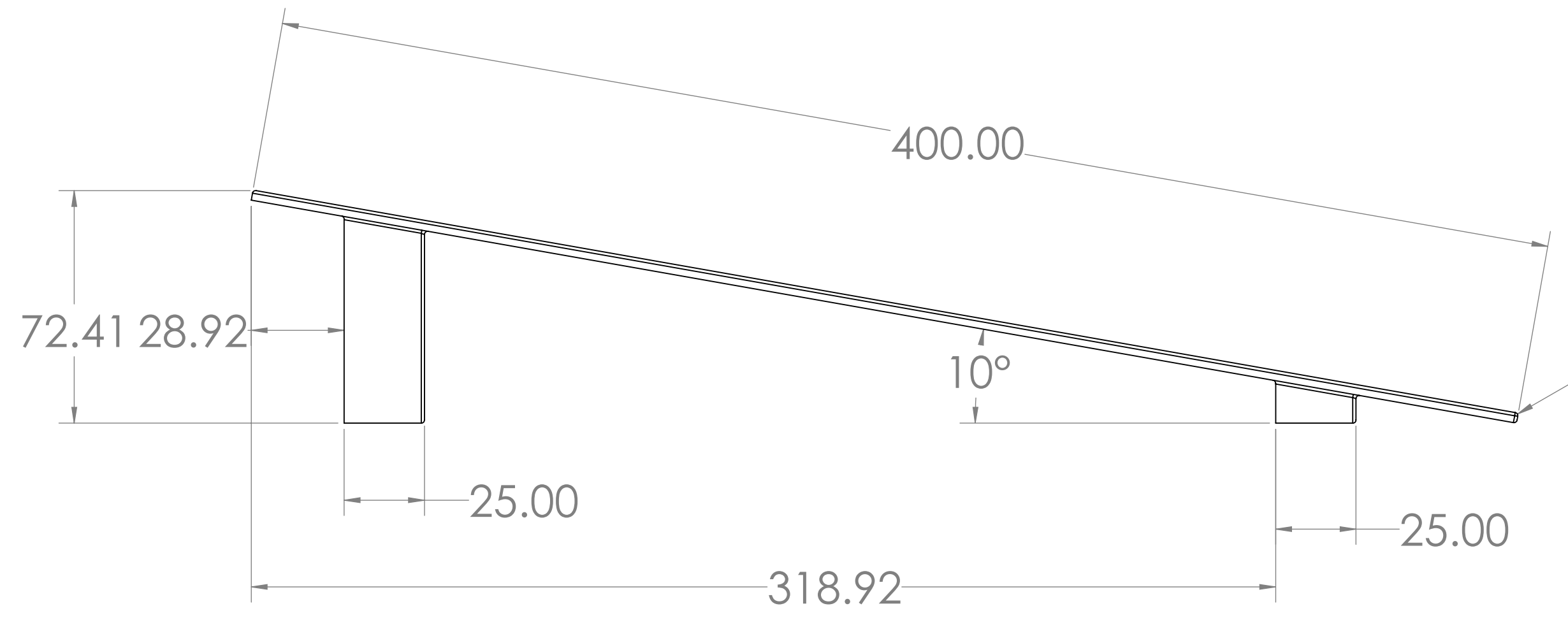
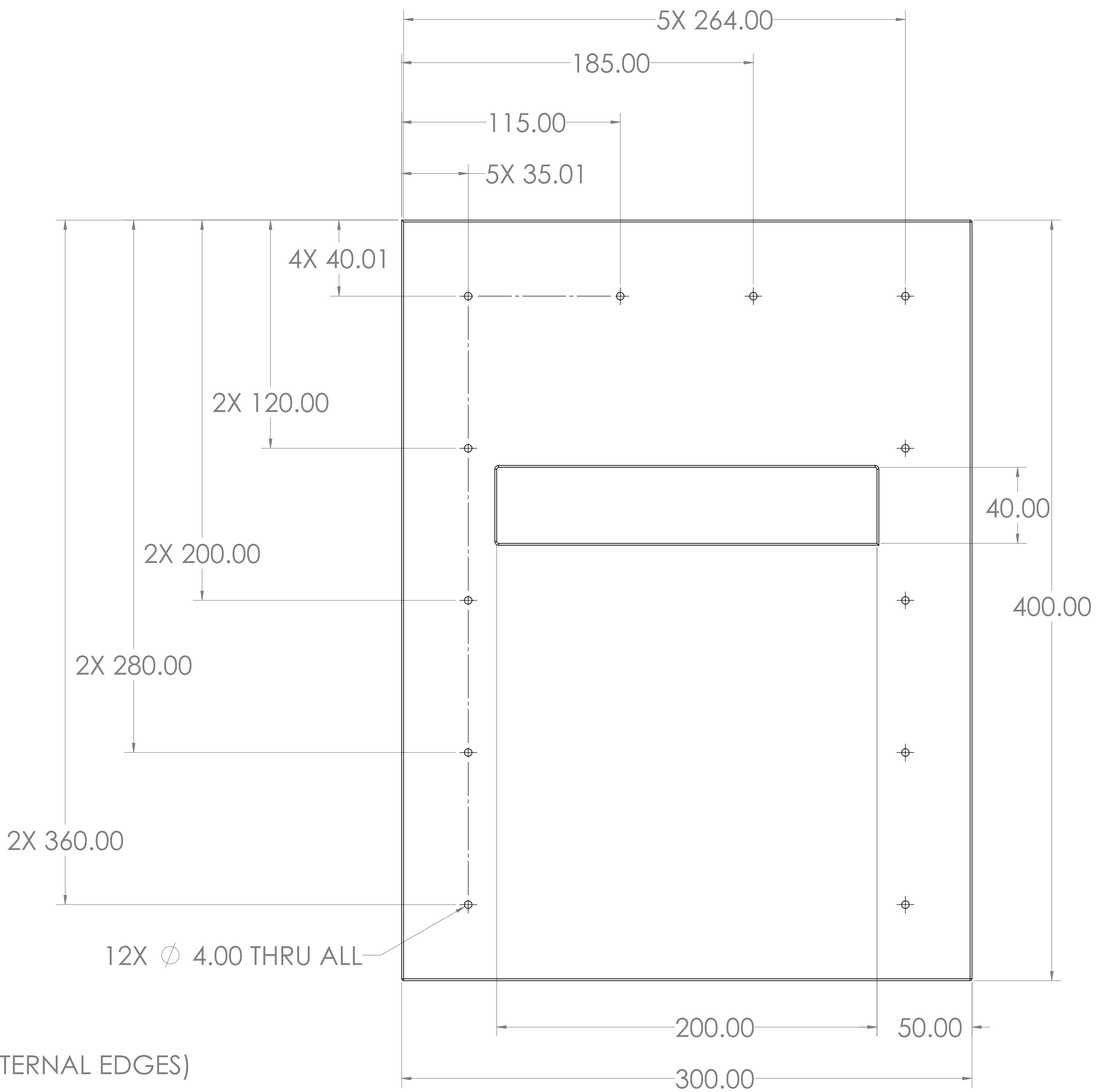
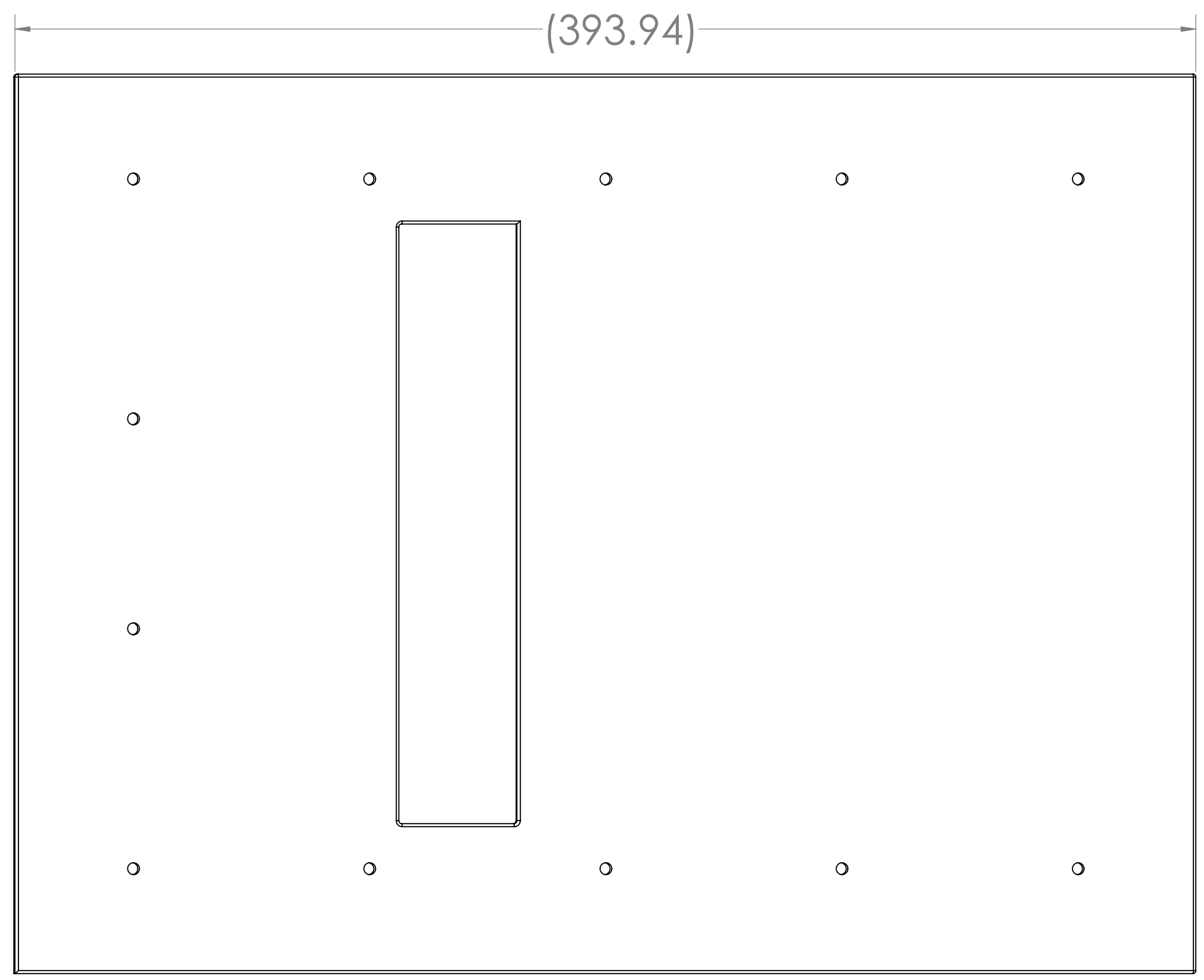
UNLESS OTHERWISE SPECIFIED:		NAME	DATE
DIMENSIONS ARE IN MILLIMETERS		DRAWN	SMM
TOLERANCES:		CHECKED	11062019
ALL TOLERANCES ± 1.00		ENG APPR.	
		MFG APPR.	
		Q.A.	
		COMMENTS:	
INTERPRET GEOMETRIC TOLERANCING PER: ASME Y14.5			
MATERIAL			
316 STAINLESS STEEL			
FINISH			
NONE			
NEXT ASSY	USED ON		
APPLICATION			
DO NOT SCALE DRAWING			

Rural Food Processing		
TITLE: Assembly, Top Level, Roller		
SIZE	DWG. NO.	REV
D	Roller Assembly	
SCALE: 1:2	WEIGHT:	SHEET 1 OF 9

8 7 6 5 4 3 2 1

D
C
B
A

D
C
B
A



R1.00 (ALL EXTERNAL EDGES)

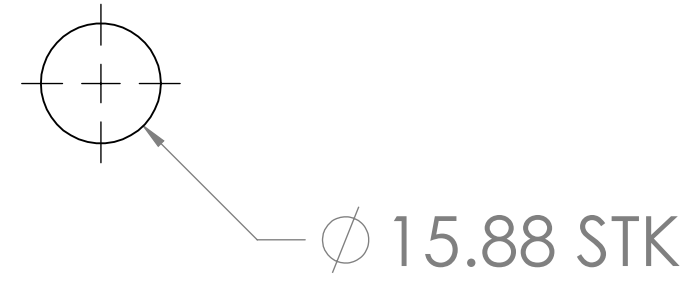
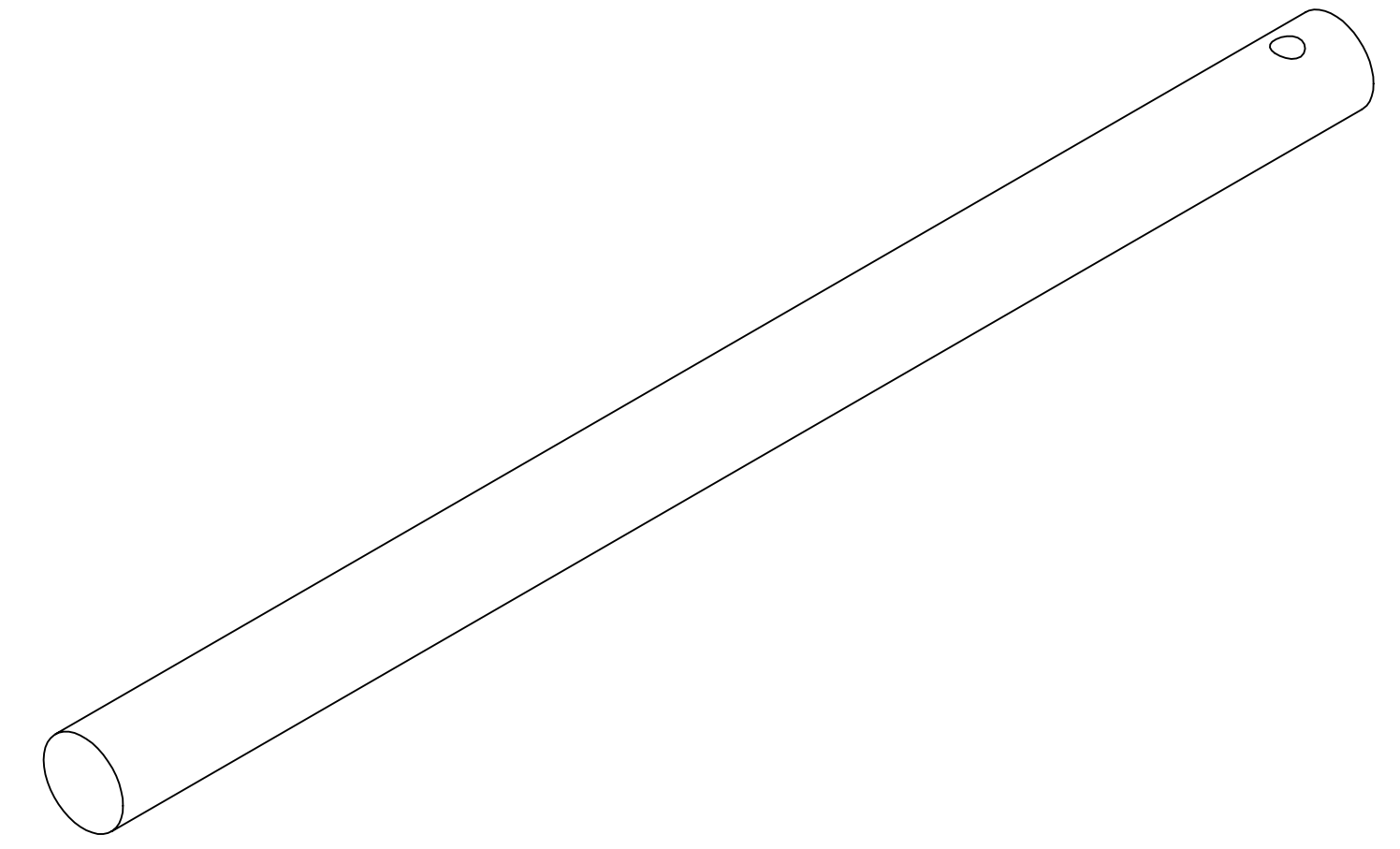
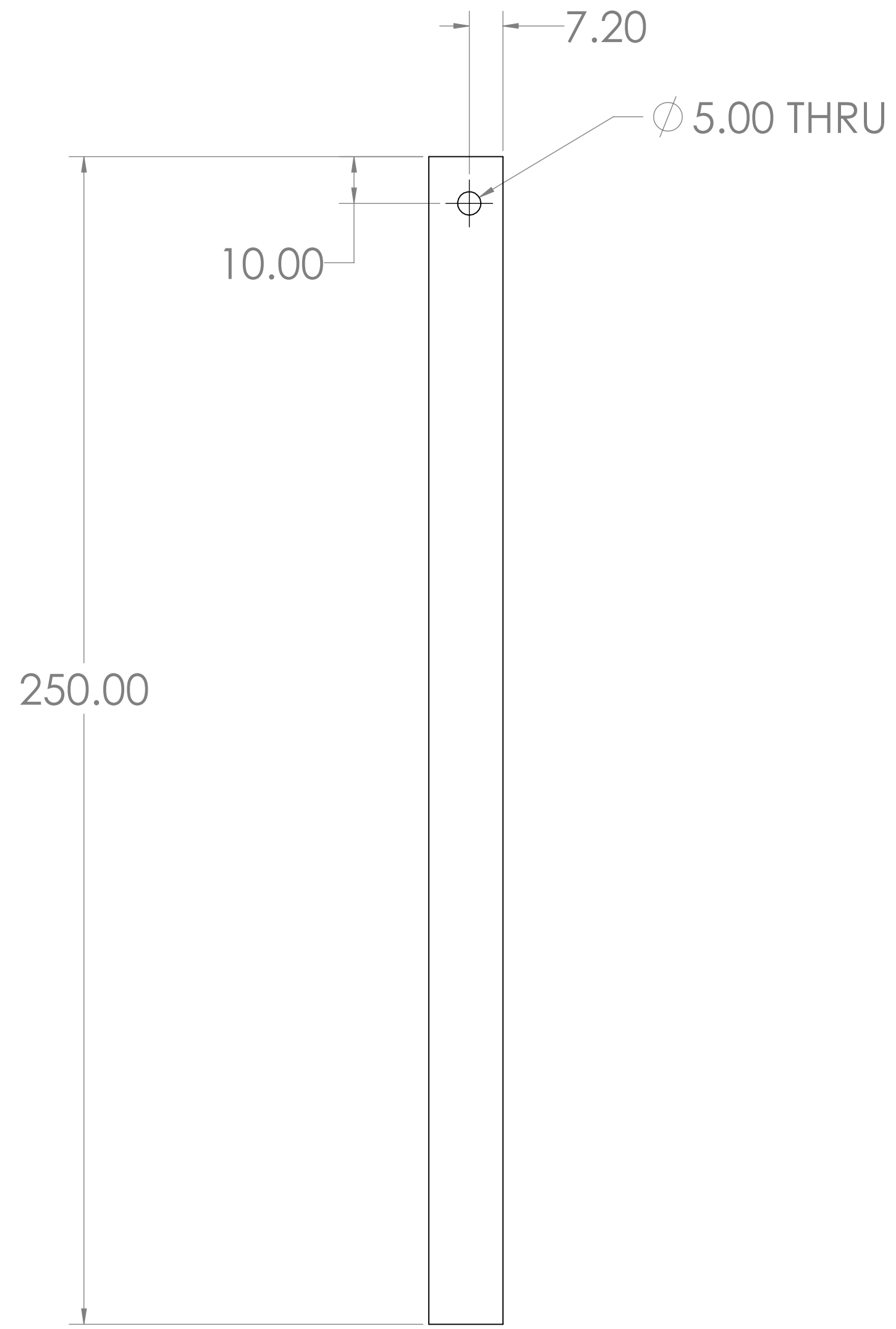
(TOP PERPENDICULAR TO FLAT SSURFACE)

PROPRIETARY AND CONFIDENTIAL
THE INFORMATION CONTAINED IN THIS DRAWING IS THE SOLE PROPERTY OF RURAL FOOD PROCESSING TEAM. ANY REPRODUCTION IN PART OR AS A WHOLE WITHOUT THE WRITTEN PERMISSION OF RURAL FOOD PROCESSING TEAM IS PROHIBITED.

		UNLESS OTHERWISE SPECIFIED:		NAME	DATE
		DIMENSIONS ARE IN MILLIMETERS		DRAWN	SMM 11062019
		TOLERANCES:		CHECKED	
		ALL TOLERANCES ± 1.00		ENG APPR.	
		INTERPRET GEOMETRIC TOLERANCING PER: ASME Y14.5		MFG APPR.	
Roller Assembly		MATERIAL		Q.A.	
		316 STAINLESS STEEL		COMMENTS:	
NEXT ASSY	USED ON	FINISH			
		NONE			
APPLICATION		DO NOT SCALE DRAWING			

Rural Food Processing		
TITLE:		
Base, Roller		
SIZE	DWG. NO.	REV
D	004	
SCALE: 2:3	WEIGHT:	SHEET 2 OF 9

8 7 6 5 4 3 2 1



PROPRIETARY AND CONFIDENTIAL
 THE INFORMATION CONTAINED IN THIS
 DRAWING IS THE SOLE PROPERTY OF
 RURAL FOOD PROCESSING TEAM. ANY
 REPRODUCTION IN PART OR AS A WHOLE
 WITHOUT THE WRITTEN PERMISSION OF
 RURAL FOOD PROCESSING TEAM IS
 PROHIBITED.

		UNLESS OTHERWISE SPECIFIED:		NAME	DATE
		DIMENSIONS ARE IN MILLIMETERS	DRAWN	SMM	11062019
		TOLERANCES:	CHECKED		
		ALL TOLERANCES ± 1.00	ENG APPR.		
			MFG APPR.		
		INTERPRET GEOMETRIC	Q.A.		
		TOLERANCING PER: ASME Y14.5	COMMENTS:		
Roller Assembly		MATERIAL			
NEXT ASSY	USED ON	316 STAINLESS STEEL			
		FINISH			
		NONE			
		DO NOT SCALE DRAWING			

Rural Food Processing		
TITLE:		
Handle, Roller		
SIZE	DWG. NO.	REV
D	005	
SCALE: 1:1	WEIGHT:	SHEET 3 OF 9

8

7

6

5

4

3

2

1

D

D

C

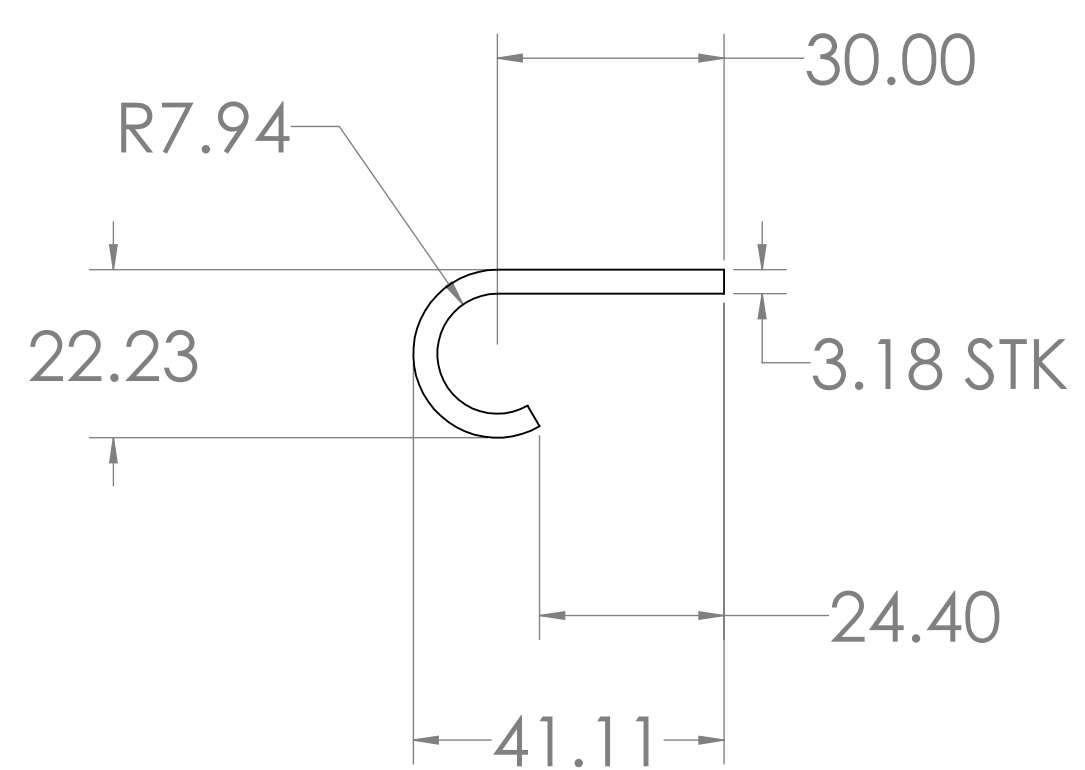
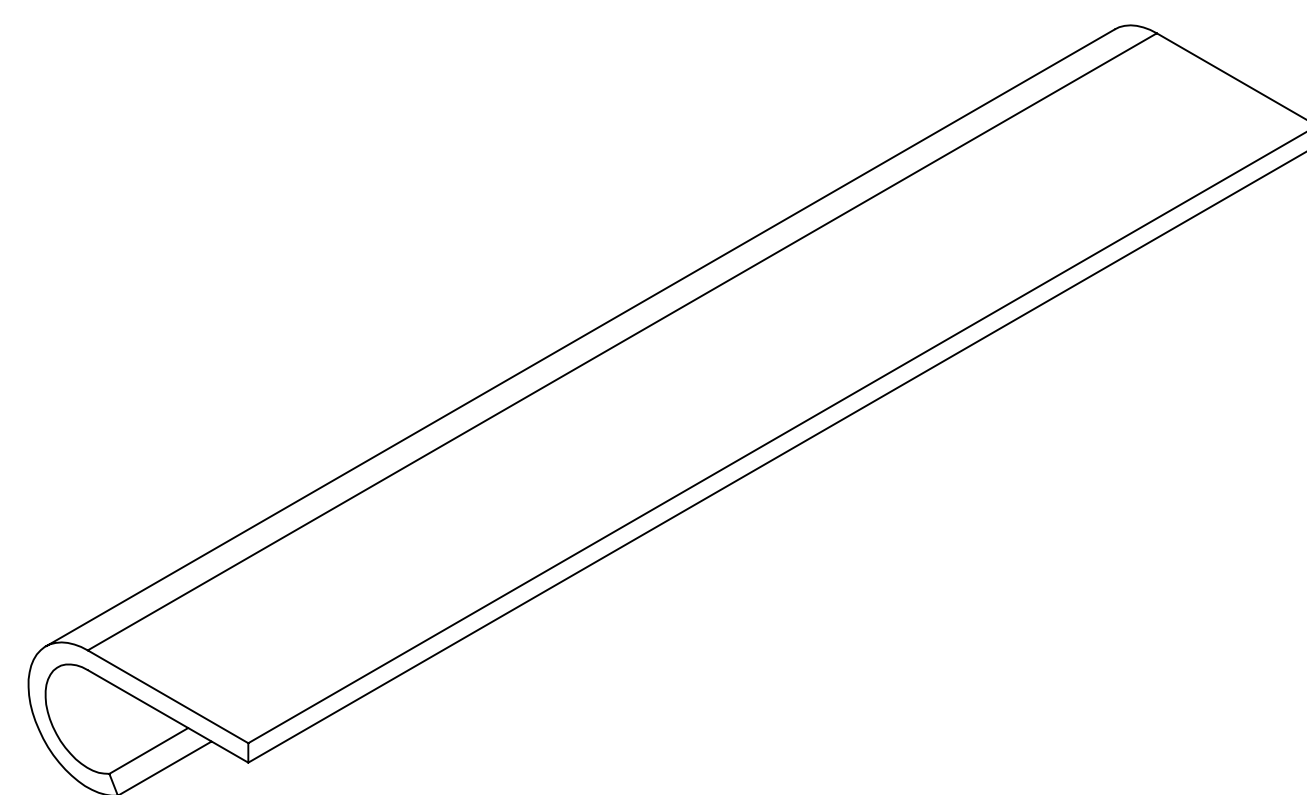
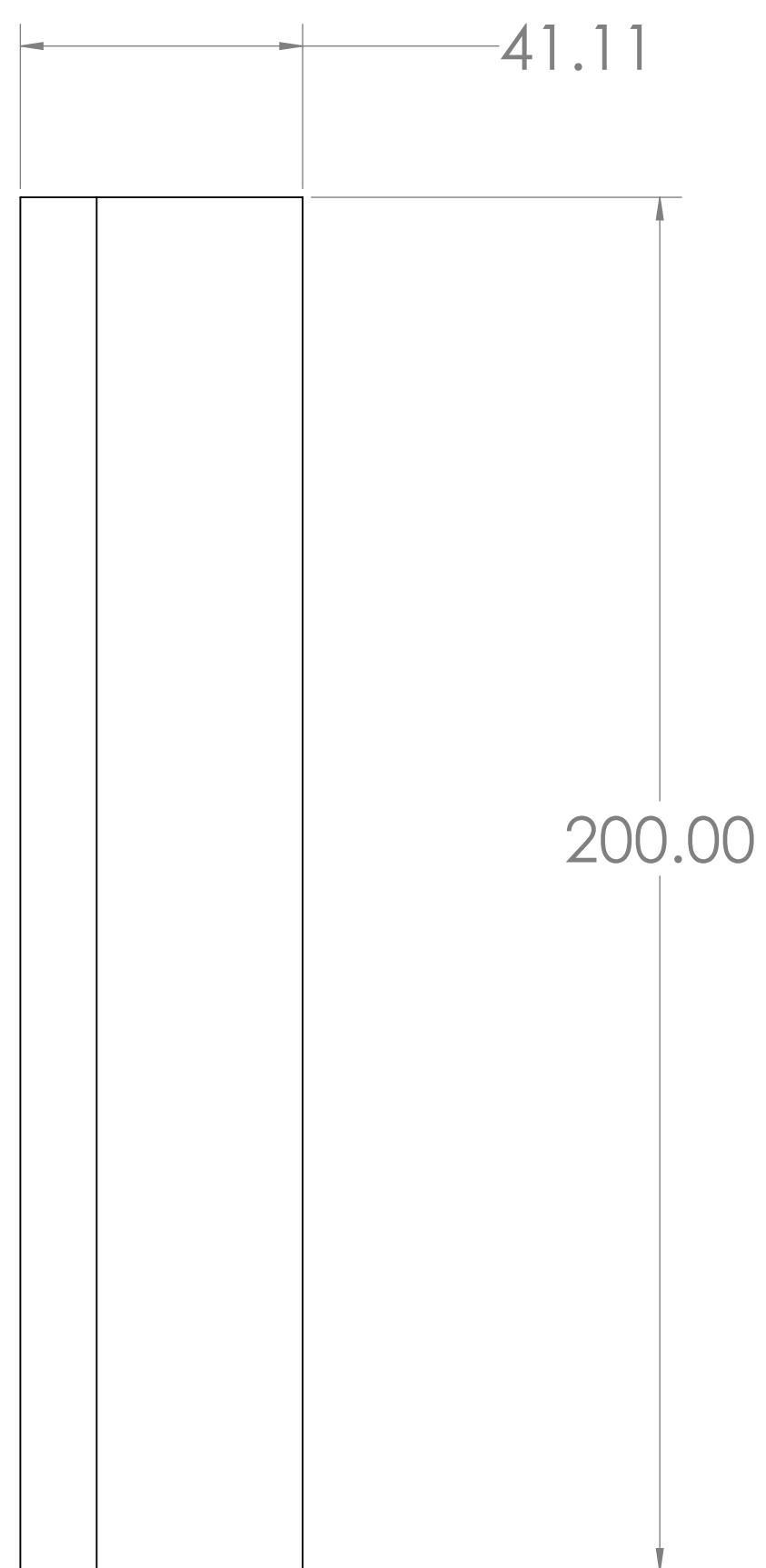
C

B

B

A

A



PROPRIETARY AND CONFIDENTIAL
 THE INFORMATION CONTAINED IN THIS DRAWING IS THE SOLE PROPERTY OF RURAL FOOD PROCESSING TEAM. ANY REPRODUCTION IN PART OR AS A WHOLE WITHOUT THE WRITTEN PERMISSION OF RURAL FOOD PROCESSING TEAM IS PROHIBITED.

		UNLESS OTHERWISE SPECIFIED:		NAME	DATE
		DIMENSIONS ARE IN MILLIMETERS	DRAWN	SMM	11062019
		TOLERANCES:	CHECKED		
		ALL TOLERANCES ± 1.00	ENG APPR.		
			MFG APPR.		
		INTERPRET GEOMETRIC TOLERANCING PER: ASME Y14.5	Q.A.		
		MATERIAL	COMMENTS:		
Roller Assembly		316 STAINLESS STEEL			
NEXT ASSY	USED ON	FINISH			
		NONE			
APPLICATION		DO NOT SCALE DRAWING			

Rural Food Processing		
TITLE: Bracket, Handle Bottom		
SIZE	DWG. NO.	REV
D	006	
SCALE: 1:1	WEIGHT:	SHEET 4 OF 9

8

7

6

5

4

3

2

1

D

D

C

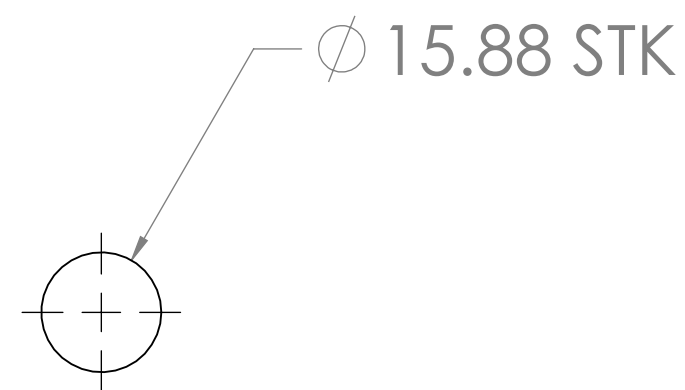
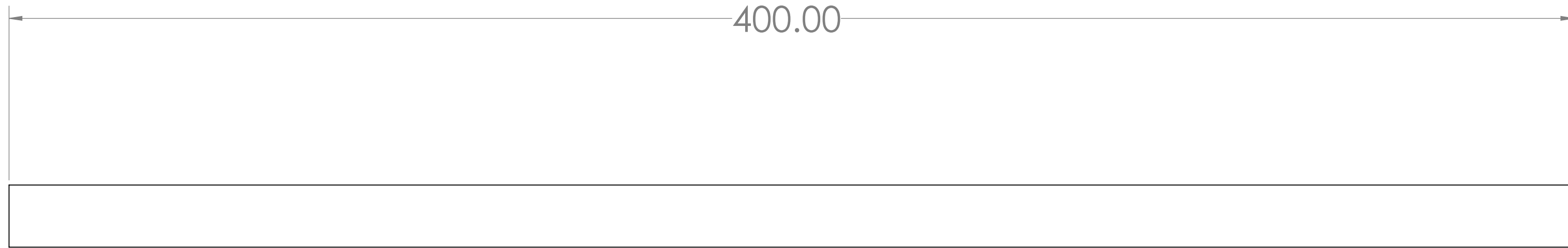
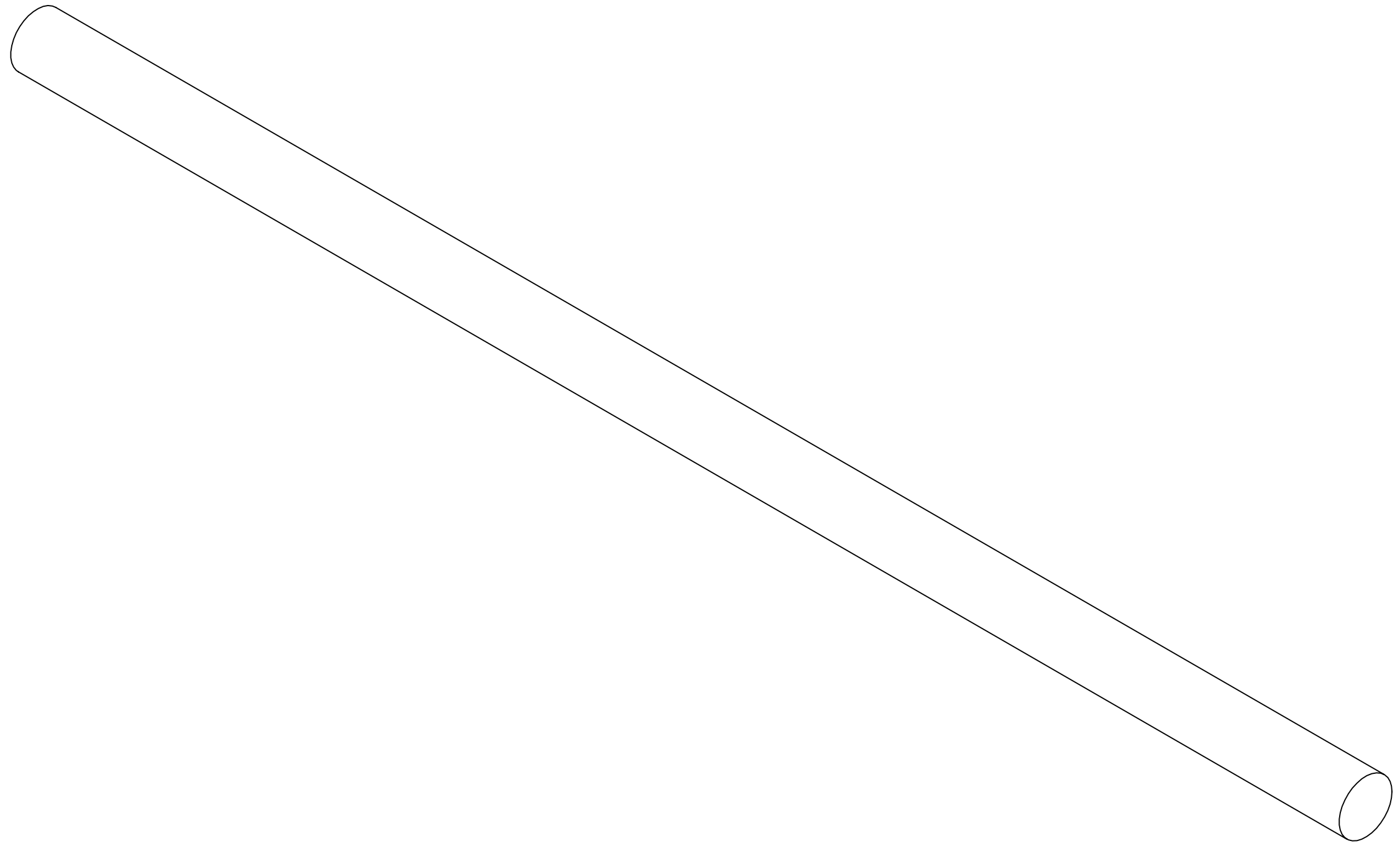
C

B

B

A

A



PROPRIETARY AND CONFIDENTIAL
 THE INFORMATION CONTAINED IN THIS
 DRAWING IS THE SOLE PROPERTY OF
 RURAL FOOD PROCESSING TEAM. ANY
 REPRODUCTION IN PART OR AS A WHOLE
 WITHOUT THE WRITTEN PERMISSION OF
 RURAL FOOD PROCESSING TEAM IS
 PROHIBITED.

		UNLESS OTHERWISE SPECIFIED:		NAME	DATE
		DIMENSIONS ARE IN MILLIMETERS	DRAWN	SMM	11062019
		TOLERANCES:	CHECKED		
		ALL TOLERANCES ± 1.00	ENG APPR.		
			MFG APPR.		
		INTERPRET GEOMETRIC	Q.A.		
		TOLERANCING PER: ASME Y14.5	COMMENTS:		
Roller Assembly		MATERIAL			
		316 STAINLESS STEEL			
NEXT ASSY	USED ON	FINISH			
		NONE			
APPLICATION		DO NOT SCALE DRAWING			

Rural Food Processing		
TITLE:		
Bar, Roller		
SIZE	DWG. NO.	REV
D	007	
SCALE: 1:1	WEIGHT:	SHEET 5 OF 9

8

7

6

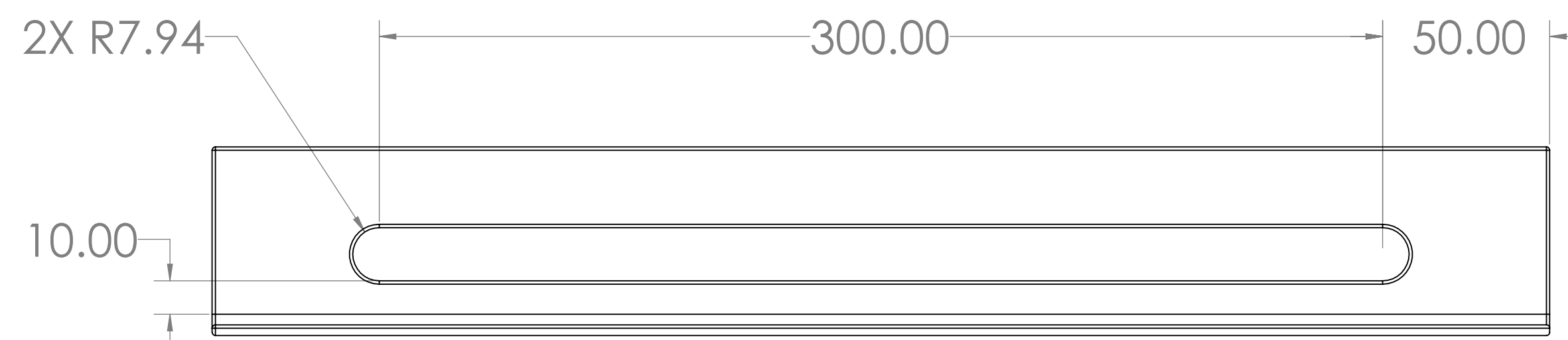
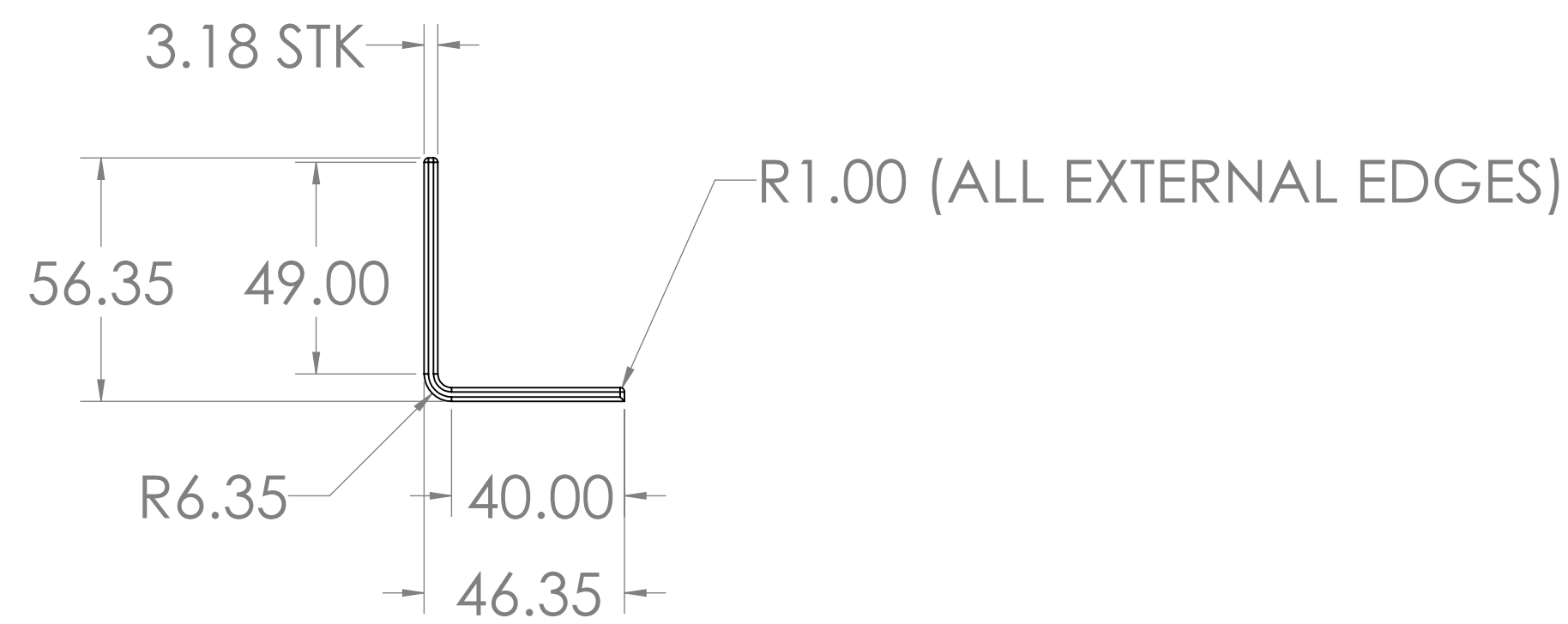
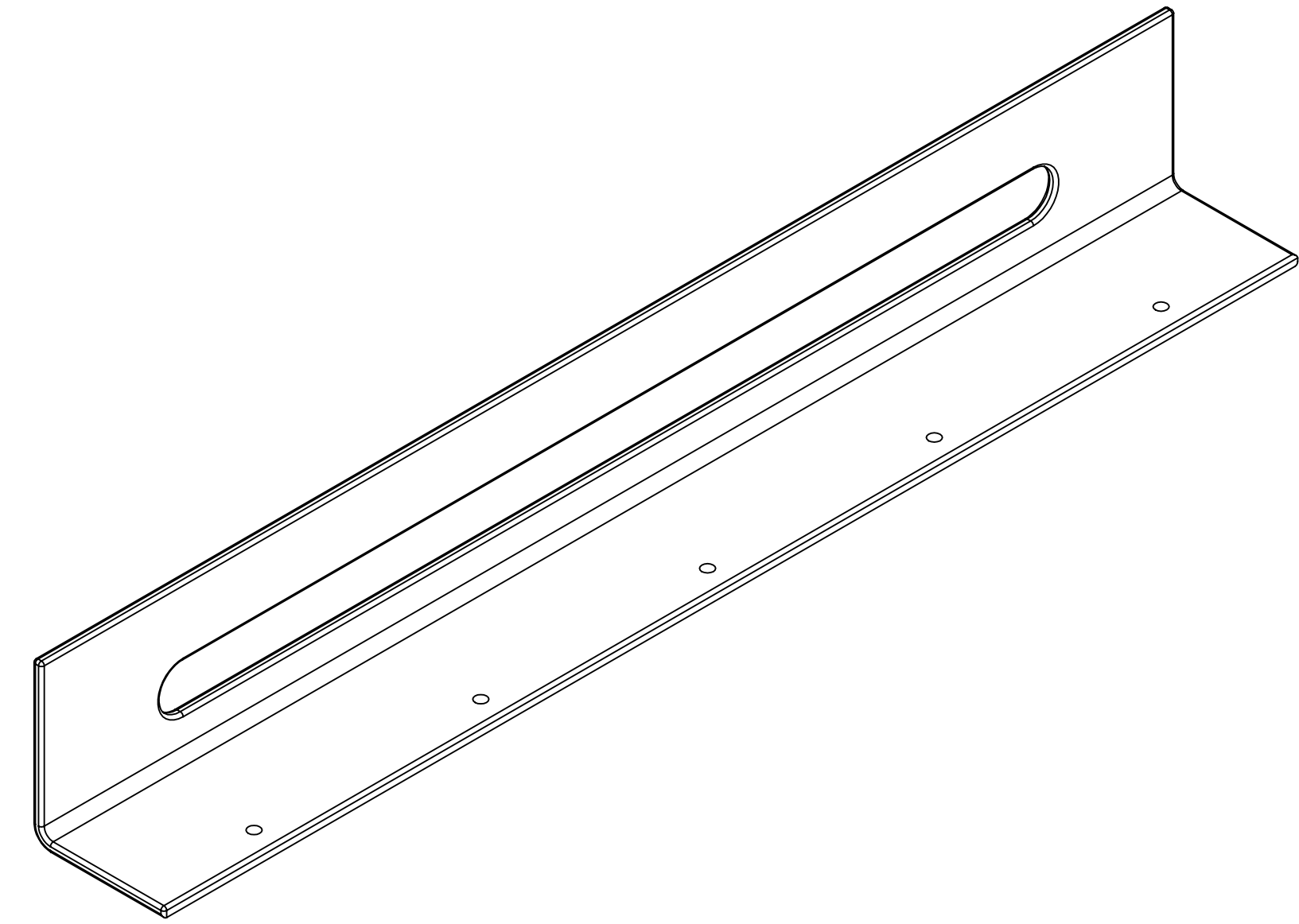
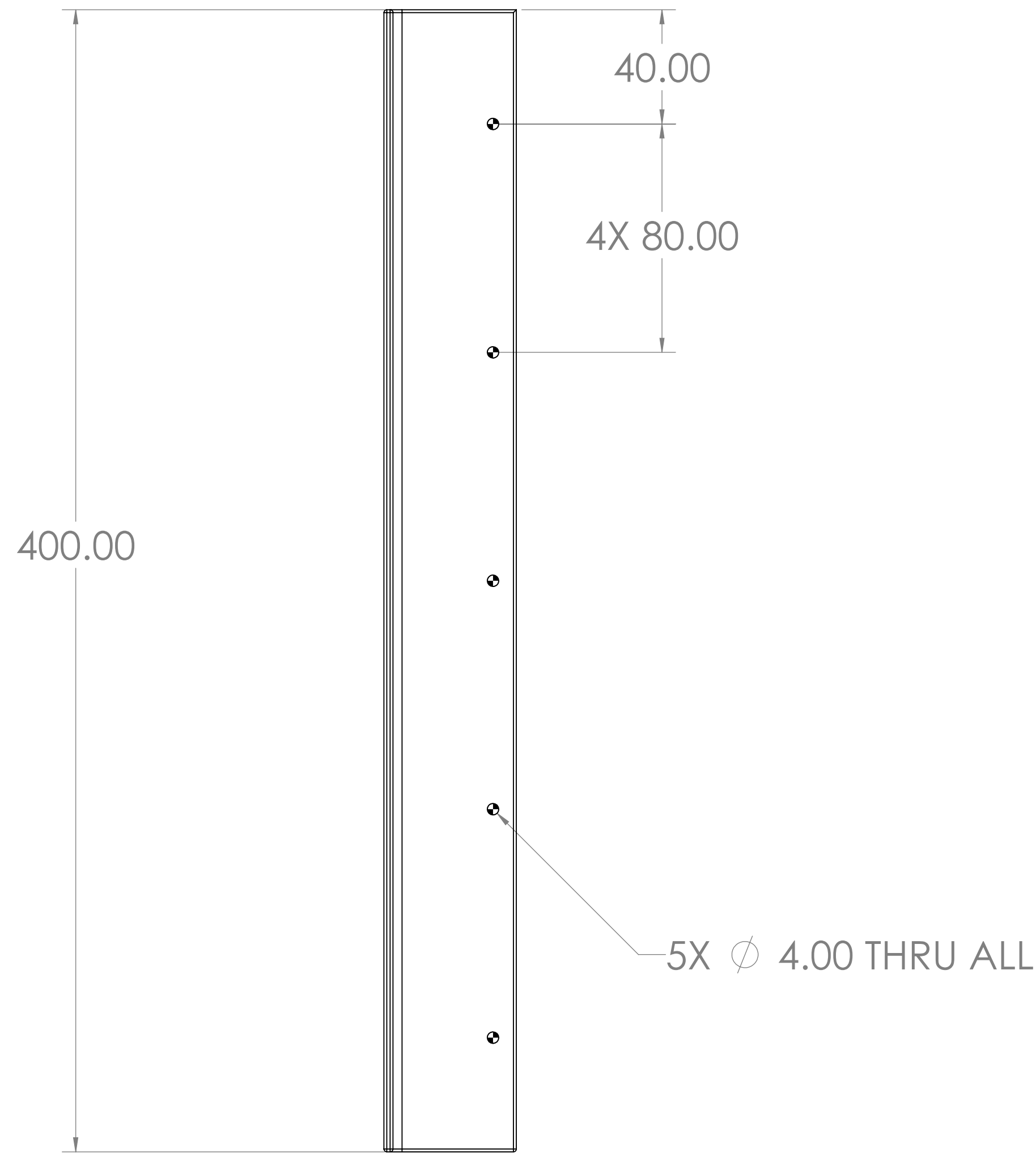
5

4

3

2

1



PROPRIETARY AND CONFIDENTIAL
 THE INFORMATION CONTAINED IN THIS
 DRAWING IS THE SOLE PROPERTY OF
 RURAL FOOD PROCESSING TEAM. ANY
 REPRODUCTION IN PART OR AS A WHOLE
 WITHOUT THE WRITTEN PERMISSION OF
 RURAL FOOD PROCESSING TEAM IS
 PROHIBITED.

		UNLESS OTHERWISE SPECIFIED:		NAME	DATE
		DIMENSIONS ARE IN MILLIMETERS	DRAWN	SMM	11062019
		TOLERANCES:	CHECKED		
		ALL TOLERANCES ± 1.00	ENG APPR.		
			MFG APPR.		
		INTERPRET GEOMETRIC	Q.A.		
		TOLERANCING PER: ASME Y14.5	COMMENTS:		
Roller Assembly		MATERIAL			
NEXT ASSY	USED ON	316 STAINLESS STEEL			
		FINISH			
		NONE			
		DO NOT SCALE DRAWING			

Rural Food Processing		
TITLE:		
Rail, Side		
SIZE	DWG. NO.	REV
D	009	
SCALE: 1:2	WEIGHT:	SHEET 6 OF 9

8

7

6

5

4

3

2

1

D

D

C

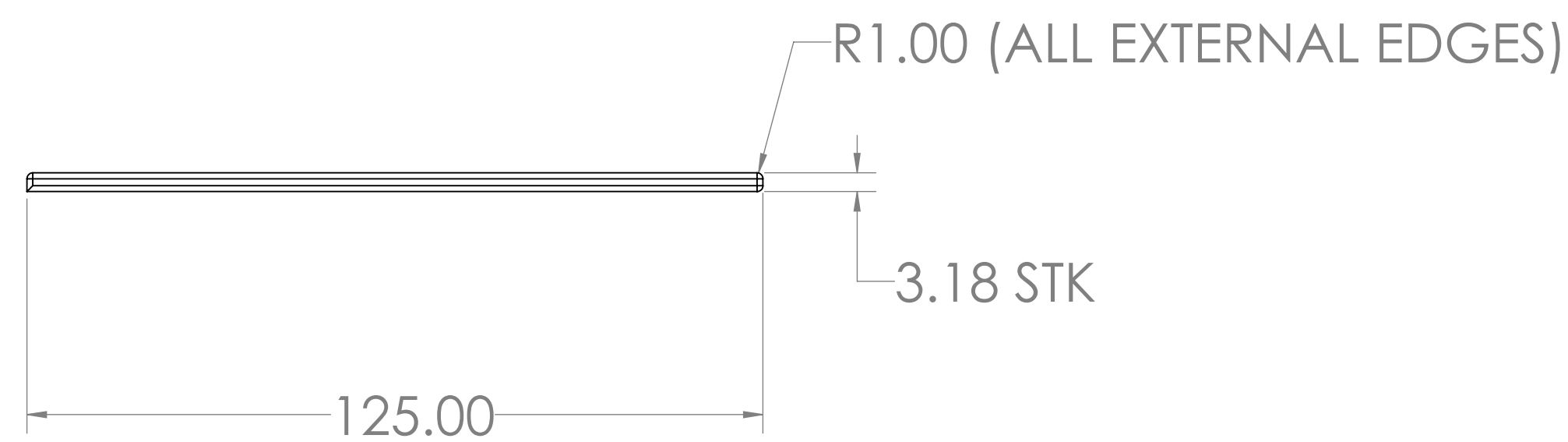
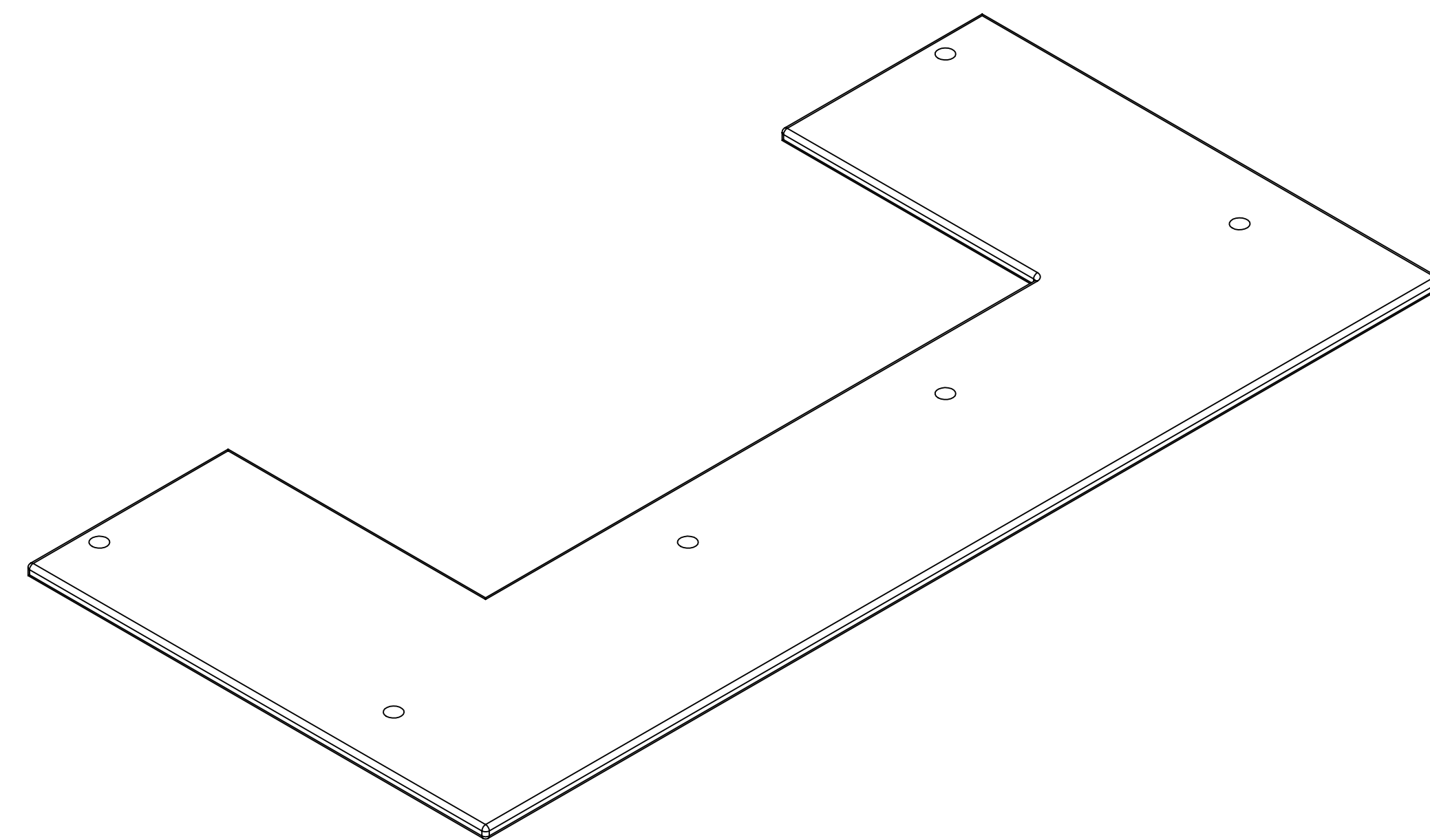
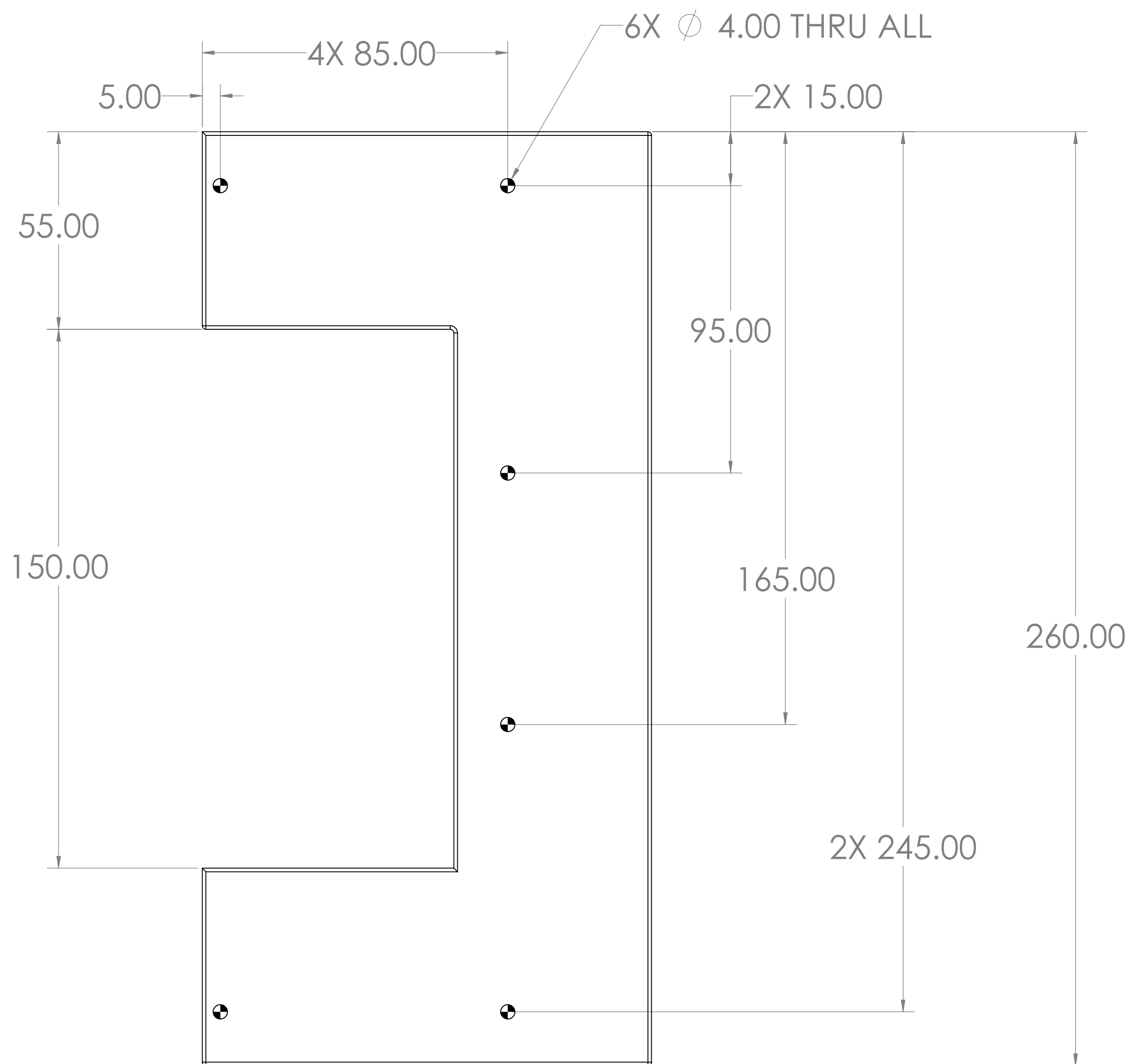
C

B

B

A

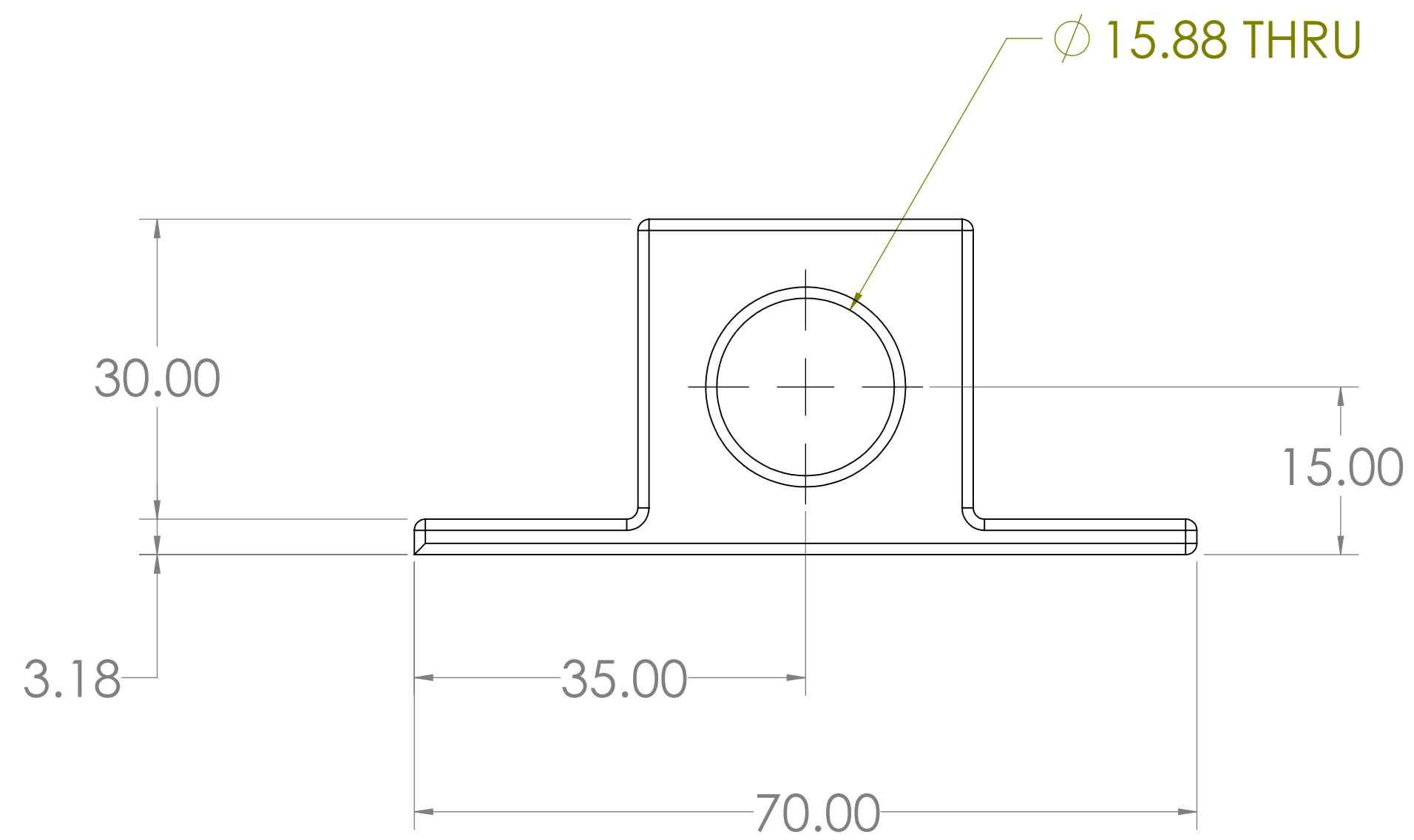
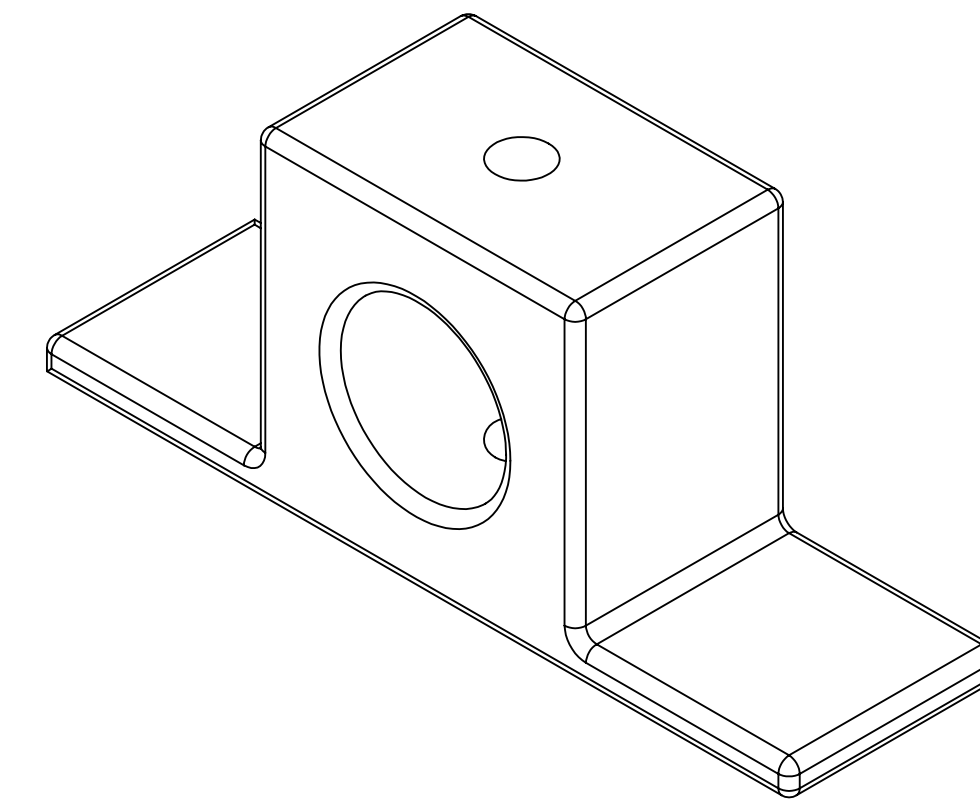
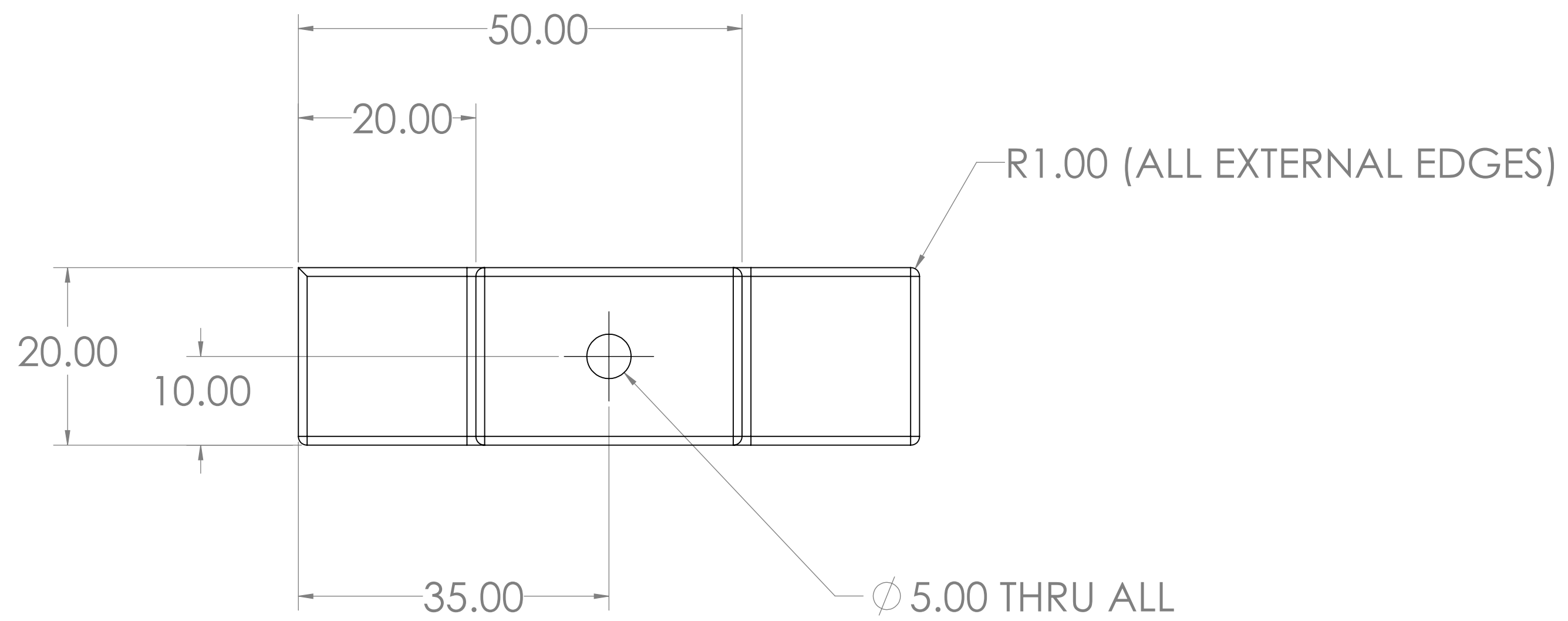
A



PROPRIETARY AND CONFIDENTIAL
 THE INFORMATION CONTAINED IN THIS
 DRAWING IS THE SOLE PROPERTY OF
 RURAL FOOD PROCESSING TEAM. ANY
 REPRODUCTION IN PART OR AS A WHOLE
 WITHOUT THE WRITTEN PERMISSION OF
 RURAL FOOD PROCESSING TEAM IS
 PROHIBITED.

		UNLESS OTHERWISE SPECIFIED:		NAME	DATE
		DIMENSIONS ARE IN MILLIMETERS	DRAWN	SMM	11062019
		TOLERANCES:	CHECKED		
		ALL TOLERANCES \pm 1.00	ENG APPR.		
			MFG APPR.		
		INTERPRET GEOMETRIC	Q.A.		
		TOLERANCING PER: ASME Y14.5	COMMENTS:		
Roller Assembly		MATERIAL			
NEXT ASSY	USED ON	316 STAINLESS STEEL			
		FINISH			
		NONE			
		DO NOT SCALE DRAWING			

Rural Food Processing		
TITLE:		
Bracket, Belt End		
SIZE	DWG. NO.	REV
D	010	
SCALE: 1:1	WEIGHT:	SHEET 7 OF 9



PROPRIETARY AND CONFIDENTIAL
THE INFORMATION CONTAINED IN THIS
DRAWING IS THE SOLE PROPERTY OF
RURAL FOOD PROCESSING TEAM. ANY
REPRODUCTION IN PART OR AS A WHOLE
WITHOUT THE WRITTEN PERMISSION OF
RURAL FOOD PROCESSING TEAM IS
PROHIBITED.

		UNLESS OTHERWISE SPECIFIED:		NAME	DATE
		DIMENSIONS ARE IN MILLIMETERS	DRAWN	SMM	11062019
		TOLERANCES:	CHECKED		
		ALL TOLERANCES ± 1.00	ENG APPR.		
			MFG APPR.		
		INTERPRET GEOMETRIC	Q.A.		
		TOLERANCING PER: ASME Y14.5	COMMENTS:		
		MATERIAL			
Roller Assembly		316 STAINLESS STEEL			
NEXT ASSY	USED ON	FINISH			
		NONE			
APPLICATION		DO NOT SCALE DRAWING			

Rural Food Processing		
TITLE: Bracket, Handle Top		
SIZE	DWG. NO.	REV
D	011	
SCALE: 2:1	WEIGHT:	SHEET 8 OF 9

8

7

6

5

4

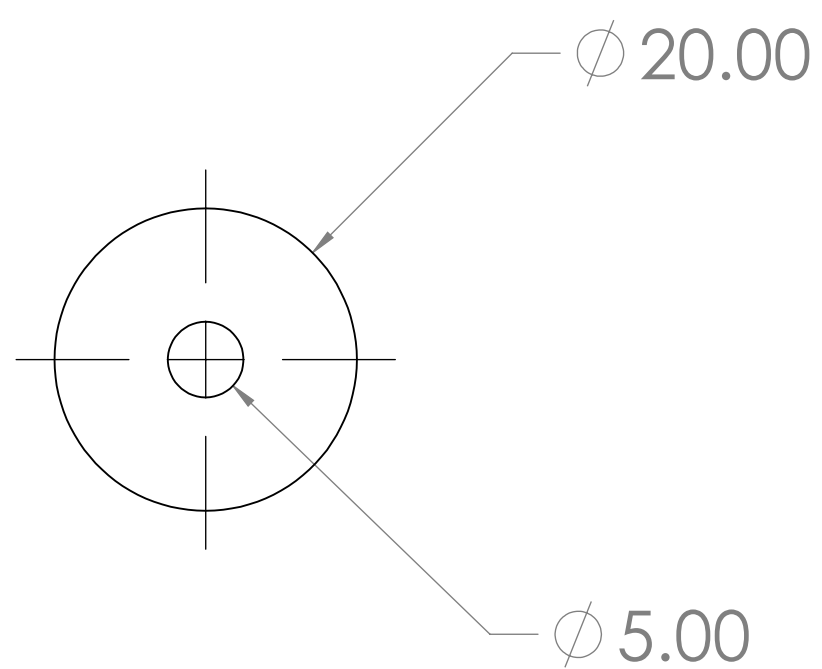
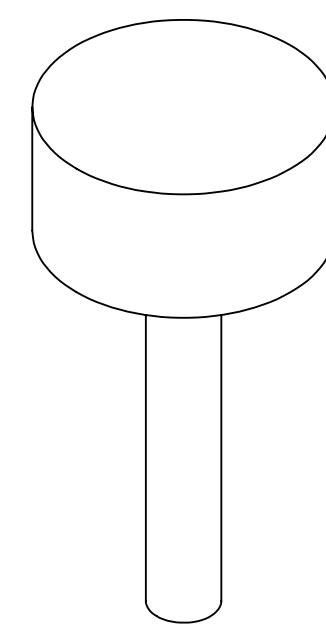
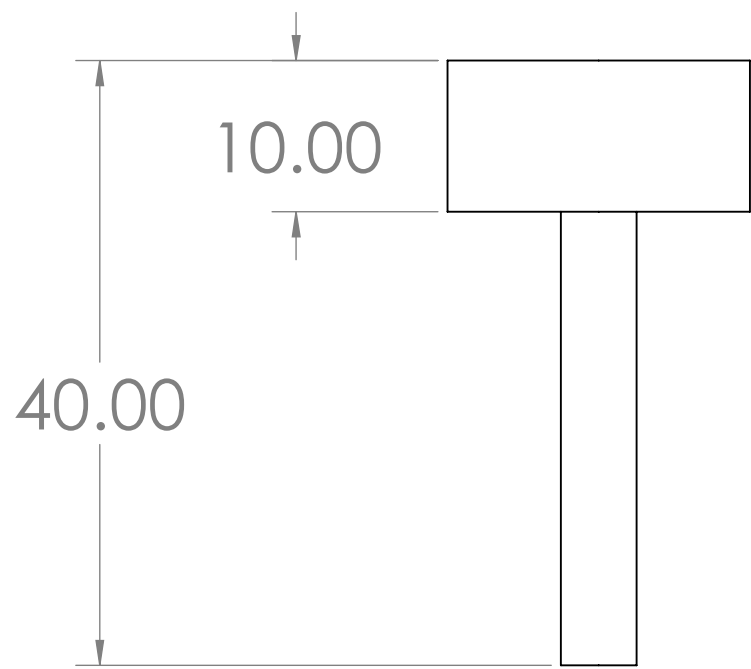
3

2

1

D

D



C

C

B

B

A

A

PROPRIETARY AND CONFIDENTIAL
 THE INFORMATION CONTAINED IN THIS DRAWING IS THE SOLE PROPERTY OF RURAL FOOD PROCESSING TEAM. ANY REPRODUCTION IN PART OR AS A WHOLE WITHOUT THE WRITTEN PERMISSION OF RURAL FOOD PROCESSING TEAM IS PROHIBITED.

		UNLESS OTHERWISE SPECIFIED:	NAME	DATE
		DIMENSIONS ARE IN MILLIMETERS TOLERANCES:	DRAWN	SMM
		ALL TOLERANCES ± 1.00	CHECKED	11062019
			ENG APPR.	
			MFG APPR.	
		INTERPRET GEOMETRIC TOLERANCING PER: ASME Y14.5	Q.A.	
		MATERIAL	COMMENTS:	
Roller Assembly		316 STAINLESS STEEL		
NEXT ASSY	USED ON	FINISH		
		NONE		
APPLICATION		DO NOT SCALE DRAWING		

Rural Food Processing		
TITLE:		
Pin, Handle		
SIZE	DWG. NO.	REV
D	012	
SCALE: 2:1	WEIGHT:	SHEET 9 OF 9

8

7

6

5

4

3

2

1